

## TECHNICAL CARD

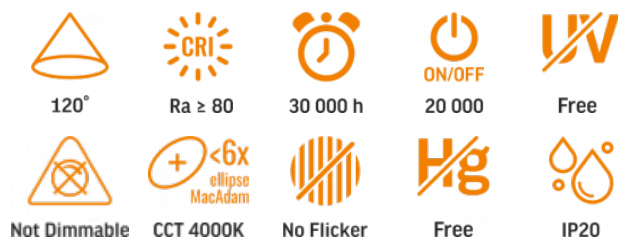


LED Recessed Downlight



Pursuant to the provisions of the WEEE Act, it is forbidden to put waste equipment marked with the symbol of a crossed out bin together with other waste. The user, wishing to get rid of electronic and electrical equipment, is obliged to return it to a waste equipment collection point. There are no hazardous components in the equipment that have a particularly negative impact on the environment and human health.

## INDEX: VLE-DLBR-124B



## WARRANTY 2 YEARS

### NEUTRAL WHITE



Neutral White / Neutralny biały / Neutralni bila / Blanc neuter / Neutrálna biela / Neutraal wit / Semleges feher / Nevtralno bela / Neutralno bijela / Neutralweiß / Alb neutru / Neutralus balta / Neitrāls balta / Neutraalne valge / Нейтрално бяла / Bianco neutro.

### General parameters

Control gear replaceable	-
Light source replaceable	by the producer
Light source or containing product	Containing product
<b>Type of light source</b>	
Energy class of the light source	E
Dimmable	no
Directional or non-directional light source	NDLS
Mains or non-mains light source	MLS
Connected light source (cls)	no
Colour-tuneable light source (CTLS)	no
High luminance light source	No
Anti-glare shield	No

Technology LED

### Electrical parameters

On-mode power (Pon)	12 W
Rated voltage, frequency	AC 220-240 V, 50/60 Hz
Rated current	130 mA
Input interface	Free wire ends
Electric shock protection class	II
Displacement factor (cos φ1)	0.7
Energy consumption in on-mode of the light source (kWh/1000h)	12
Survival factor	0.9

### Photometric parameters

Useful luminous flux of the light source (Φuse)	1350 Lm
Correlated color temperature	4000K (neutral white)
Beam angle	120°
Color rendering index (CRI)	Ra > 80
Lifetime	30000 h
On/Off cycles	20000
Useful luminous flux of the light source reference	in a sphere (360°)
Chromaticity coordinates (x)	0.38
Chromaticity coordinates (y)	0.38
R9 colour rendering index value	>0
The lumen maintenance factor	≥96%

## INDEX: VLE-DLBR-124B

Colour consistency in MacAdam ellipses (SDCM)	<6 (4000K)
Flicker metric (Pst LM)	≤1
Stroboscopic effect metric (SVM)	≤0.4
CRI Min	Ra 80
CRI Max	Ra 89

### Additional information

Place of installation	Ceiling, Recessed
Place of application	indoor
Housing colour	Black
Ultraviolet radiation	no
Operating temperature range	-20° +40°C
Suitable for installation in normally flammable surfaces	yes
Mercury content	Does not contain
Ingress protection	IP20
Housing material	Plastic

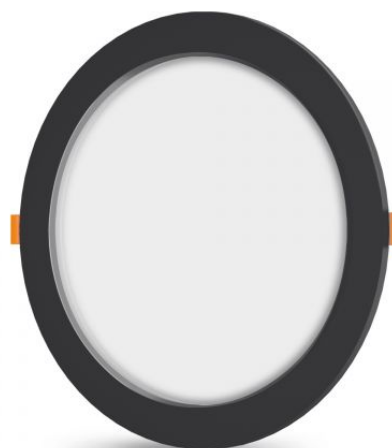
### Dimensions

EAN	5904405542637
Height	175 mm
Width	175 mm
Depth	27 mm
Outer box	20 pcs.
Unit nett weight	126g
In the package	1 pc.

### Signs marking goods

#### Packaging marking

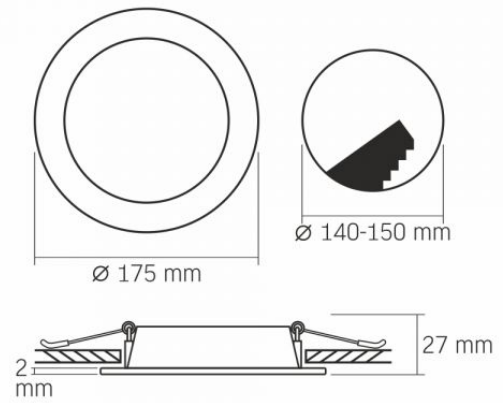
Recycling of waste, CE, Utilization



# VIDEX®

VIDEX-DOWNLIGHT-LED-DLBR-124-BLACK-12W-NW

**INDEX: VLE-DLBR-124B**



We reserve the right to make technical changes. The data contained in this material is not legally binding.

Allegro opt Sp. z o.o., ul. Mierzeja Wiślana 11,  
30-732 Krakow, Poland.