

TECHNICAL CARD

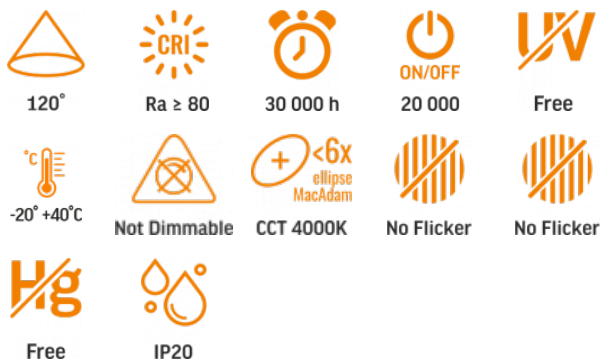


LED Recessed Downlight



Pursuant to the provisions of the WEEE Act, it is forbidden to put waste equipment marked with the symbol of a crossed out bin together with other waste. The user, wishing to get rid of electronic and electrical equipment, is obliged to return it to a waste equipment collection point. There are no hazardous components in the equipment that have a particularly negative impact on the environment and human health.

VIDEX®



WARRANTY 2 YEARS

NEUTRAL WHITE

4000K

Neutral White / Neutralny biały / Neutralni bila / Blanc neuter / Neutrálna biela / Neutraal wit / Semleges feher / Nevtralno bela / Neutralno bijela / Neutralweiß / Alb neutru / Neutralus balta / Neitrāls balta / Neutraalne valge / Нейтрално бяла / Bianco neutro.

General parameters

Control gear replaceable	-
Light source replaceable	by the producer
Light source or containing product	Containing product

Type of light source

Energy class of the light source	F
Dimmable	no
Directional or non-directional light source	NDLS
Mains or non-mains light source	MLS
Connected light source (cls)	no
Colour-tuneable light source (CTLS)	no

VIDEX-DOWNLIGHT-LED-DLBR-064-BLACK-6W-NW

INDEX: VLE-DLBR-064B

High luminance light source	No
Anti-glare shield	No
Technology	LED

Electrical parameters

On-mode power (Pon)	6 W
Rated voltage, frequency	AC 220-240 V, 50/60 Hz
Rated current	45 mA
Input interface	Free wire ends
Electric shock protection class	II
Displacement factor (cos φ1)	0.5
Energy consumption in on-mode of the light source (kWh/1000h)	6
Survival factor	0.9

Photometric parameters

Useful luminous flux of the light source (Φuse)	620 Lm
Correlated color temperature	4000K (neutral white)
Beam angle	120°
Color rendering index (CRI)	Ra > 80
Lifetime	30000 h
On/Off cycles	20000
Useful luminous flux of the light source reference	in a sphere (360°)
Chromaticity coordinates (x)	0.38
Chromaticity coordinates (y)	0.38

INDEX: VLE-DLBR-064B

R9 colour rendering index value	>0
The lumen maintenance factor	≥96%
Colour consistency in MacAdam ellipses (SDCM)	<6 (4000K)
Flicker metric (Pst LM)	≤1
Stroboscopic effect metric (SVM)	≤0.4
CRI Min	Ra 80
CRI Max	Ra 89

Unit nett weight	65g
In the package	1 pc.

Signs marking goods

Packaging marking	Recycling of waste, CE, Utilization
-------------------	-------------------------------------

Additional information

Place of installation	Ceiling, Recessed
Place of application	indoor
Housing colour	Black
Ultraviolet radiation	no
Operating temperature range	-20° +40°C
Suitable for installation in normally flammable surfaces	yes
Mercury content	Does not contain
Ingress protection	IP20
Housing material	Plastic

Dimensions

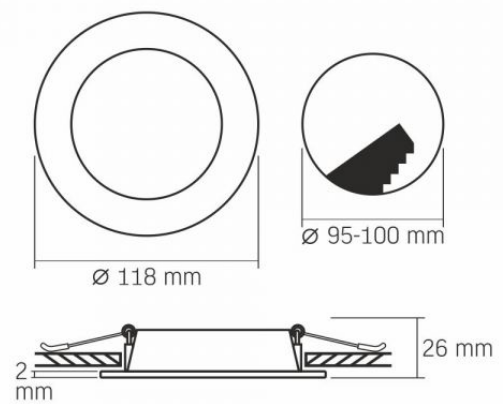
EAN	5904405542620
Height	118 mm
Width	118 mm
Depth	26 mm
Outer box	40 pcs.



VIDEX®

VIDEX-DOWNLIGHT-LED-DLBR-064-BLACK-6W-NW

INDEX: VLE-DLBR-064B



We reserve the right to make technical changes. The data contained in this material is not legally binding.

Allegro opt Sp. z o.o., ul. Mierzeja Wiślana 11,
30-732 Krakow, Poland.

Date: 21.12.2024