

TECHNICAL CARD

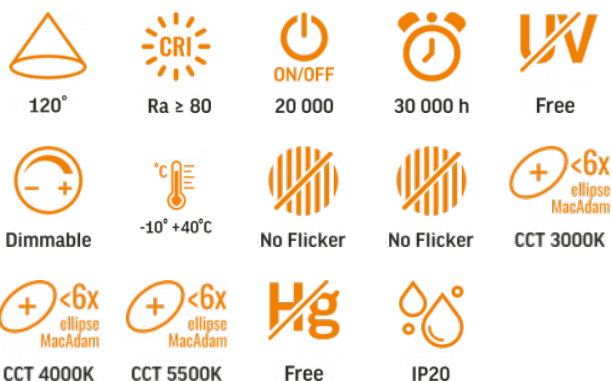


LED Dimmable Floor Lamp



Pursuant to the provisions of the WEEE Act, it is forbidden to put waste equipment marked with the symbol of a crossed out bin together with other waste. The user, wishing to get rid of electronic and electrical equipment, is obliged to return it to a waste equipment collection point. There are no hazardous components in the equipment that have a particularly negative impact on the environment and human health.

INDEX: VLE-TF07W



WARRANTY 2 YEARS

General parameters

Light source or containing product	Containing product
Light source replaceable	no
Control gear replaceable	yes

Type of light source

Energy efficiency class of the contained light source	F
Dimmable	5-step
Directional (DLS) or non-directional (NDLS) light source	NDLS
Connected light source (cls)	no
Color-tunable light source	no
Mains (MLS) or non-mains (NMLS) light source	NMLS
High luminance light source	No
Anti-glare shield	No
Technology	LED

Electrical parameters

On-mode power (Pon)	9.5 W
Rated voltage, frequency	AC 100-240 V, 50/60 Hz
Rated current	105 mA
Input interface	AC adapter
Electric shock protection class	II
Displacement factor (cos φ1)	0.9
Survival factor	1
Energy consumption in on-mode of the light source (kWh/1000h)	12
Standby Power (Psb)	0.4 W

Photometric parameters

Useful luminous flux of the contained light source (Φuse)	1280 Lm
Correlated color temperature	5500K (cold white), 4000K (neutral white), 3000K (warm white)
Beam angle	120°
Color rendering index (CRI)	Ra > 80
On/Off cycles	20000
Lifetime (L70B50)	30000 h
Useful luminous flux of the light source reference	in a sphere (360°)
Chromaticity coordinates (x)	0.38
Chromaticity coordinates (y)	0.38
R9 colour rendering index value	>0
The lumen maintenance factor	≥96%

INDEX: VLE-TF07W

Flicker metric (Pst LM)	≤1
Stroboscopic effect metric (SVM)	≤0.4
Colour consistency in MacAdam ellipses (SDCM)	<6 (3000K), <6 (4000K), <6 (5500K)
CRI Min	Ra 80
CRI Max	Ra 88

Additional information

Place of installation	Desk, Floor
Place of application	indoor
Housing colour	White
Ultraviolet radiation	no
Operating temperature range	-10° +40°C
Mercury content	Does not contain
Ingress protection	IP20
Housing material	Aluminum, Plastic

Dimensions

EAN	5904405541258
In the package	1 pc.
Outer box	4 pcs.
Height	1733 mm
Width	230 mm
Depth	230 mm
Unit nett weight	3kg

Signs marking goods

Packaging marking

Recycling of
waste, CE,
Utilization

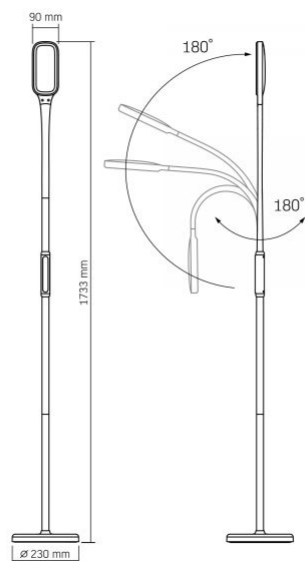
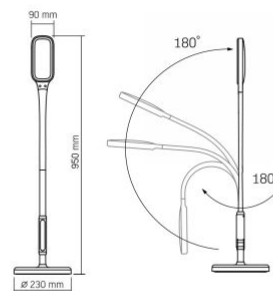


VIDEX[®]

VIDEX-FLOOR-LAMP-TOKYO-WHITE

INDEX: VLE-TF07W

INDEX: VLE-TF07W



We reserve the right to make technical changes. The data contained in this material is not legally binding.

Allegro opt Sp. z o.o., ul. Mierzeja Wiślana 11, 30-732 Krakow, Poland.



The product must be used indoors



Class of protection against electric shock II - provided not only by basic insulation but also by double or reinforced insulation



Waste recycling after the end of the product's service life



The product meets the requirements of EU directives



It is forbidden to throw away waste equipment marked with the symbol of a crossed-out bin with other waste



Rated beam angle



Ra > 80 - color rendering index



Rated On/off cycles



Nominal lifetime (hours)



The product does not emit ultraviolet light



The product has 5-level brightness adjustment



Operating temperatures range



The flickering of the light does not exceed the permissible level



The product has minimal flickering, which should not cause discomfort or danger



Colour consistency in MacAdam ellipses (SDCM)



Colour consistency in MacAdam ellipses (SDCM)



Colour consistency in MacAdam ellipses (SDCM)



The product does not contain mercury



Class of protection against dust and moisture. Protection against solid objects larger than 12 mm; no protection against moisture