

TECHNICAL CARD



LED Dimmable Desk Lamp



Pursuant to the provisions of the WEEE Act, it is forbidden to put waste equipment marked with the symbol of a crossed out bin together with other waste. The user, wishing to get rid of electronic and electrical equipment, is obliged to return it to a waste equipment collection point. There are no hazardous components in the equipment that have a particularly negative impact on the environment and human health.



WARRANTY 2 YEARS

General parameters

| | |
|------------------------------------|--------------------|
| Light source or containing product | Containing product |
| Control gear replaceable | yes |
| Light source replaceable | no |

Type of light source

| | |
|--|------------------|
| Dimmable | non-step dimming |
| Directional (DLS) or non-directional (NDLS) light source | NDLS |
| Color-tunable light source | no |
| Mains (MLS) or non-mains (NMLS) light source | NMLS |
| Technology | LED |
| Energy efficiency class of the contained light source | F |

Electrical parameters

| | |
|----------------------------------|------------------------|
| On-mode power (P _{on}) | 15 W |
| Rated voltage, frequency | AC 100-240 V, 50/60 Hz |
| Rated current | 150 mA |

INDEX: VL-TF15W

| | |
|---------------------------------|------------|
| Input interface | AC adapter |
| Electric shock protection class | II |
| Displacement factor (cos φ1) | - |
| Survival factor | 1 |

Photometric parameters

| | |
|--|-----------------------|
| Correlated color temperature | 4100K (neutral white) |
| Useful luminous flux of the contained light source (Φ _{use}) | 1450 Lm |
| Beam angle | 120° |
| Color rendering index (CRI) | Ra ≤ 98 |
| Lifetime | 40000 h |
| On/Off cycles | 100000 |
| Useful luminous flux of the light source reference | in a sphere (360°) |
| Chromaticity coordinates (x) | 0.38 |
| Chromaticity coordinates (y) | 0.38 |
| R9 colour rendering index value | >0 |
| The lumen maintenance factor | ≥96% |
| Colour consistency in MacAdam ellipses (SDCM) | <6 (4100K) |
| Flicker metric (Pst LM) | - |
| Stroboscopic effect metric (SVM) | - |

Additional information

| | |
|-----------------------|--------|
| Place of installation | Desk |
| Place of application | indoor |
| Housing colour | White |

VIDEX®

VIDEX TF15W 20W 4100K White

INDEX: VL-TF15W

| | |
|------------------------------------|----------------------------------|
| Ultraviolet radiation | no |
| Operating temperature range | -10° +40°C |
| Mercury content | Does not contain |
| Ingress protection | IP20 |
| Housing material | Aluminum, PC, ABS, Acrylic |

Dimensions

| | |
|-------------------------|---------------|
| EAN | 4820246482318 |
| Height | 601 mm |
| Width | 162 mm |
| Depth | 162 mm |
| In the package | 1 pc. |
| Outer box | 4 pcs. |
| Unit nett weight | 1500g |

Signs marking goods

| | |
|--------------------------|-----------------|
| Packaging marking | CE, Utilization |
|--------------------------|-----------------|



VIDEX[®]

VIDEX TF15W 20W 4100K White

INDEX: VL-TF15W

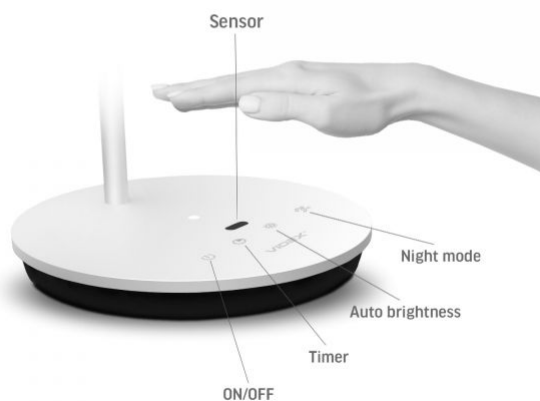
VIDEX®

VIDEX TF15W 20W 4100K White

INDEX: VL-TF15W



Built-in touch sensor for quick gesture control and automatic brightness detection



The low reflection index of the lamp light reduces discomfort caused by glare from illuminated objects

UGR < 19

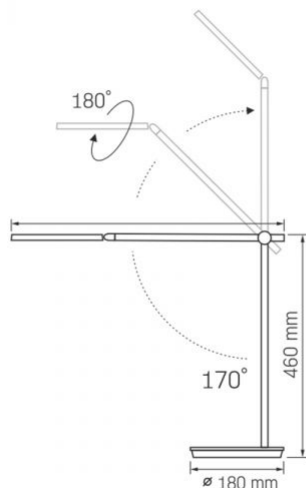


A high color rendering index allows the lamp to transmit the most natural colors of objects

RA ≤ 98



INDEX: VL-TF15W



We reserve the right to make technical changes. The data contained in this material is not legally binding.

Allegro opt Sp. z o.o., ul. Mierzeja Wiślana 11,
30-732 Krakow, Poland.



The product must be used indoors



Class of protection against electric shock II - provided not only by basic insulation but also by double or reinforced insulation



The product meets the requirements of EU directives



It is forbidden to throw away waste equipment marked with the symbol of a crossed-out bin with other waste



120°

Rated beam angle



40 000 h

Nominal lifetime (hours)



100 000

Rated On/off cycles



Free

The product does not emit ultraviolet light



Dimmable

The product has smooth brightness adjustment



-10° +40°C

Operating temperatures range



CCT 4100K

Colour consistency in MacAdam ellipses (SDCM)



Free

The product does not contain mercury



IP20

Class of protection against dust and moisture. Protection against solid objects larger than 12 mm; no protection against moisture