

## TECHNICAL CARD



LED Dimmable Desk Lamp



Pursuant to the provisions of the WEEE Act, it is forbidden to put waste equipment marked with the symbol of a crossed out bin together with other waste. The user, wishing to get rid of electronic and electrical equipment, is obliged to return it to a waste equipment collection point. There are no hazardous components in the equipment that have a particularly negative impact on the environment and human health.



## WARRANTY 2 YEARS

### General parameters

Light source or containing product	Containing product
Control gear replaceable	yes
Light source replaceable	no

### Type of light source

Dimmable	non-step dimming
Directional (DLS) or non-directional (NDLS) light source	NDLS
Color-tunable light source	no
Mains (MLS) or non-mains (NMLS) light source	NMLS
Technology	LED
Energy efficiency class of the contained light source	F

### Electrical parameters

On-mode power (P <sub>on</sub> )	15 W
Rated voltage, frequency	AC 100-240 V, 50/60 Hz
Rated current	150 mA

## VIDEX TF15R 20W 4100K Red

### INDEX: VL-TF15R

Input interface	AC adapter
Electric shock protection class	II
Displacement factor (cos φ1)	-
Survival factor	1

### Photometric parameters

Correlated color temperature	4100K (neutral white)
Useful luminous flux of the contained light source (Φ <sub>use</sub> )	1450 Lm
Beam angle	120°
Color rendering index (CRI)	Ra ≤ 98
Lifetime	40000 h
On/Off cycles	100000
Useful luminous flux of the light source reference	in a sphere (360°)
Chromaticity coordinates (x)	0.38
Chromaticity coordinates (y)	0.38
R9 colour rendering index value	>0
The lumen maintenance factor	≥96%
Colour consistency in MacAdam ellipses (SDCM)	<6 (4100K)
Flicker metric (Pst LM)	-
Stroboscopic effect metric (SVM)	-

### Additional information

Place of installation	Desk
Place of application	indoor
Housing colour	Red

# VIDEX®

## VIDEX TF15R 20W 4100K Red

### INDEX: VL-TF15R

<b>Ultraviolet radiation</b>	no
<b>Operating temperature range</b>	-10° +40°C
<b>Mercury content</b>	Does not contain
<b>Ingress protection</b>	IP20
<b>Housing material</b>	Aluminum, PC, ABS, Acrylic

### Dimensions

<b>EAN</b>	4820246480635
<b>Width</b>	162 mm
<b>Height</b>	601 mm
<b>Depth</b>	162 mm
<b>In the package</b>	1 pc.
<b>Outer box</b>	4 pcs.
<b>Unit nett weight</b>	1500g

### Signs marking goods

<b>Packaging marking</b>	CE, Utilization
--------------------------	-----------------



**VIDEX®**

VIDEX TF15R 20W 4100K Red

**INDEX: VL-TF15R**

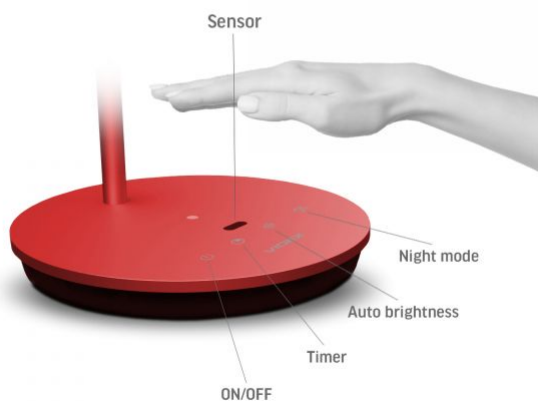
# VIDEX®

VIDEX TF15R 20W 4100K Red

INDEX: VL-TF15R



Built-in touch sensor for quick gesture control and automatic brightness detection



A high color rendering index allows the lamp to transmit the most natural colors of objects

**RA ≤ 98**



The low reflection index of the lamp light reduces discomfort caused by glare from illuminated objects

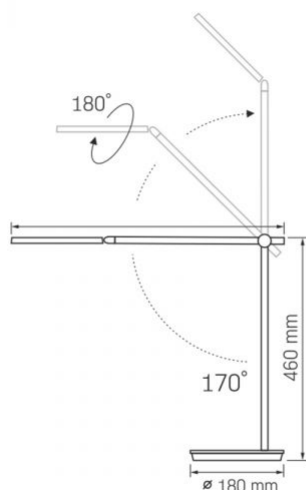
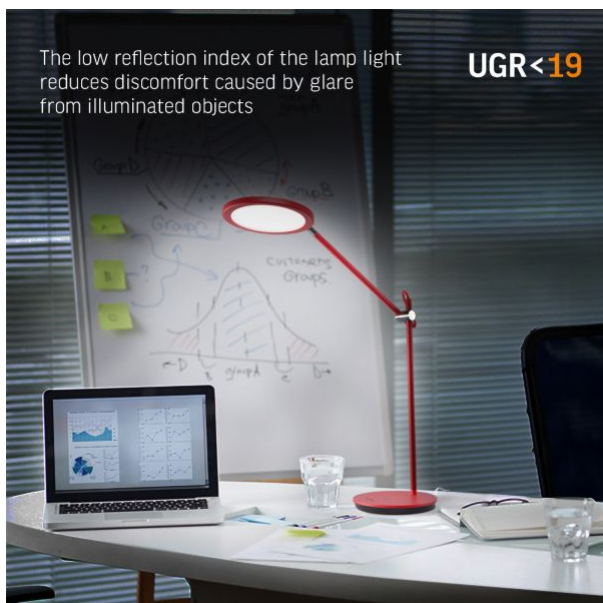
**UGR < 19**



# VIDEX®

## VIDEX TF15R 20W 4100K Red

### INDEX: VL-TF15R



We reserve the right to make technical changes. The data contained in this material is not legally binding.

Allegro opt Sp. z o.o., ul. Mierzeja Wiślana 11, 30-732 Krakow, Poland.



The product must be used indoors



Class of protection against electric shock II - provided not only by basic insulation but also by double or reinforced insulation



The product meets the requirements of EU directives



It is forbidden to throw away waste equipment marked with the symbol of a crossed-out bin with other waste



— Rated beam angle

120°



— Nominal lifetime (hours)

40 000 h



— Rated On/off cycles

100 000



— The product does not emit ultraviolet light

Free



— The product has smooth brightness adjustment

Dimmable



— Operating temperatures range

-10° +40°C



— Colour consistency in MacAdam ellipses (SDCM)

CCT 4100K



— The product does not contain mercury

Free



— Class of protection against dust and moisture. Protection against solid objects larger than 12 mm; no protection against moisture

IP20