

## TECHNICAL CARD



LED Dimmable Desk Lamp



Pursuant to the provisions of the WEEE Act, it is forbidden to put waste equipment marked with the symbol of a crossed out bin together with other waste. The user, wishing to get rid of electronic and electrical equipment, is obliged to return it to a waste equipment collection point. There are no hazardous components in the equipment that have a particularly negative impact on the environment and human health.

# VIDEX®



120°



Ra ≥ 80



ON/OFF

25 000



30 000 h



Free



Dimmable



-10° +40°C



Free



IP20

## WARRANTY 2 YEARS

### General parameters

<b>Light source or containing product</b>	Containing product
<b>Light source replaceable</b>	no
<b>Control gear replaceable</b>	yes

### Type of light source

<b>Energy efficiency class of the contained light source</b>	F
<b>Dimmable</b>	3-step

### Electrical parameters

<b>Rated voltage, frequency</b>	AC 100-240 V, 50/60 Hz
<b>Rated current</b>	45 mA
<b>Input interface</b>	AC adapter
<b>Electric shock protection class</b>	II

### Photometric parameters

<b>Useful luminous flux of the contained light source (Φ<sub>use</sub>)</b>	490 Lm
---	--------

## VIDEX-DESK-LAMP-OSLO

### INDEX: VLE-TF02W

<b>Correlated color temperature</b>	5500K (cold white), 4000K (neutral white), 3000K (warm white)
<b>Beam angle</b>	120°
<b>Color rendering index (CRI)</b>	Ra > 80
<b>On/Off cycles</b>	25000
<b>Lifetime (L70B50)</b>	30000 h
<b>Useful luminous flux of the light source in a sphere reference</b>	in a sphere (360°)

### Additional information

<b>Place of installation</b>	Desk
<b>Place of application</b>	indoor
<b>Housing colour</b>	White
<b>Ultraviolet radiation</b>	no
<b>Operating temperature range</b>	-10° +40°C
<b>Mercury content</b>	Does not contain
<b>Ingress protection</b>	IP20
<b>Housing material</b>	Plastic

### Dimensions

<b>EAN</b>	5904405541227
<b>Outer box</b>	16 pcs.
<b>Height</b>	333 mm
<b>Width</b>	120 mm
<b>Depth</b>	167 mm

**VIDEX®**

VIDEX-DESK-LAMP-OSLO

INDEX: VLE-TF02W

**Signs marking goods****Packaging marking**Recycling of  
waste, CE,  
Utilization

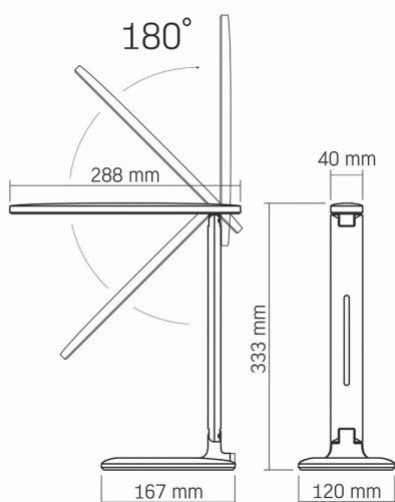
**VIDEX<sup>®</sup>**

VIDEX-DESK-LAMP-OSLO

**INDEX: VLE-TF02W**

Short touch - change the light color temperature  
Long touch - smooth dimming



**INDEX: VLE-TF02W**


We reserve the right to make technical changes. The data contained in this material is not legally binding.

Allegro opt Sp. z o.o., ul. Mierzeja Wiślana 11,  
30-732 Krakow, Poland.



The product must be used indoors



Class of protection against electric shock II - provided not only by basic insulation but also by double or reinforced insulation



Waste recycling after the end of the product's service life



The product meets the requirements of EU directives



It is forbidden to throw away waste equipment marked with the symbol of a crossed-out bin with other waste



— Rated beam angle



— Ra > 80 - color rendering index



— Rated On/off cycles



— Nominal lifetime (hours)



— The product does not emit ultraviolet light



— The product has 3-level brightness adjustment



— Operating temperatures range



— The product does not contain mercury



— Class of protection against dust and moisture. Protection against solid objects larger than 12 mm; no protection against moisture