

## TECHNICAL CARD

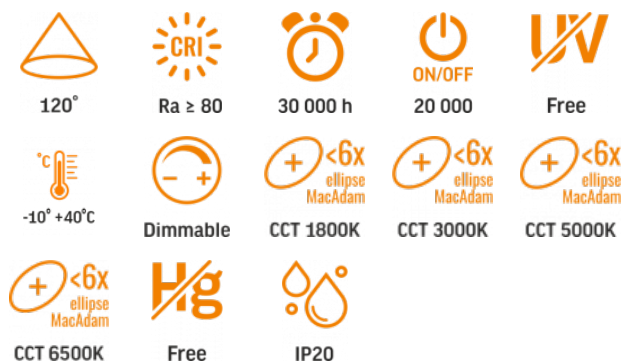


LED Desk Lamp with Wireless Charging



Pursuant to the provisions of the WEEE Act, it is forbidden to put waste equipment marked with the symbol of a crossed out bin together with other waste. The user, wishing to get rid of electronic and electrical equipment, is obliged to return it to a waste equipment collection point. There are no hazardous components in the equipment that have a particularly negative impact on the environment and human health.

## INDEX: VL-TF17B



## WARRANTY 3 YEARS

### General parameters

Control gear replaceable	yes
Light source replaceable	no
Light source or containing product	Containing product

### Type of light source

Energy class of the light source	F
Dimmable	yes
Directional or non-directional light source	NDLS
Mains or non-mains light source	NMLS
Connected light source (cls)	no
Colour-tuneable light source (CTLS)	no
Technology	LED

### Electrical parameters

On-mode power (Pon)	7.5 W
---------------------	-------

Rated voltage, frequency	AC 100-240 V, 50/60 Hz
Rated current	174 mA
Input interface	AC adapter
Electric shock protection class	II
Displacement factor (cos φ1)	-
Energy consumption in on-mode of the light source (kWh/1000h)	18
Survival factor	1

### Photometric parameters

Useful luminous flux of the light source (Φuse)	700 Lm
Correlated color temperature	6500K (cold white), 5000K (neutral white), 4500K (neutral white), 3800K (warm white), 3000K (warm white), 1800K (warm white)
Beam angle	120°
Color rendering index (CRI)	Ra > 80
Lifetime	30000 h
On/Off cycles	20000
Useful luminous flux of the light source in a sphere reference (360°)	
R9 colour rendering index value	>0
The lumen maintenance factor	≥96%
Colour consistency in MacAdam ellipses (SDCM)	<6 (1800K), <6 (3000K), <6 (3800K), <6 (4500K), <6 (5000K), <6 (6500K)

### INDEX: VL-TF17B

<b>Flicker metric (Pst LM)</b>	-
<b>Stroboscopic effect metric (SVM)</b>	-
<b>CRI Min</b>	Ra 80
<b>CRI Max</b>	Ra 88

### Additional information

<b>Place of installation</b>	Desk
<b>Place of application</b>	indoor
<b>Housing colour</b>	Black
<b>Ultraviolet radiation</b>	no
<b>Operating temperature range</b>	-10° +40°C
<b>Mercury content</b>	Does not contain
<b>Ingress protection</b>	IP20
<b>Housing material</b>	Aluminum, ABS

### Dimensions

<b>EAN</b>	4820246484046
<b>Height</b>	403.5 mm
<b>Width</b>	115 mm
<b>Depth</b>	176.5 mm
<b>Outer box</b>	16 pcs.
<b>Unit nett weight</b>	790g
<b>In the package</b>	1 pc.

### Signs marking goods

<b>Packaging marking</b>	Recycling of waste, CE, Utilization
--------------------------	-------------------------------------



# VIDEX®

VIDEX VL-TF17B Black

INDEX: VL-TF17B



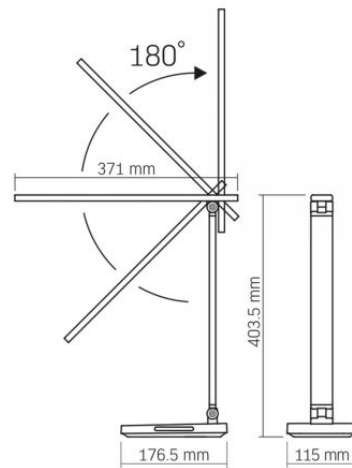
**VIDEX<sup>®</sup>**

VIDEX VL-TF17B Black

**INDEX: VL-TF17B**

**VIDEX<sup>®</sup>**

VIDEX VL-TF17B Black

**INDEX: VL-TF17B**

We reserve the right to make technical changes. The data contained in this material is not legally binding.

Allegro opt Sp. z o.o., ul. Mierzeja Wiślana 11,  
30-732 Krakow, Poland.

