

TECHNICAL CARD



LED Ceiling Light

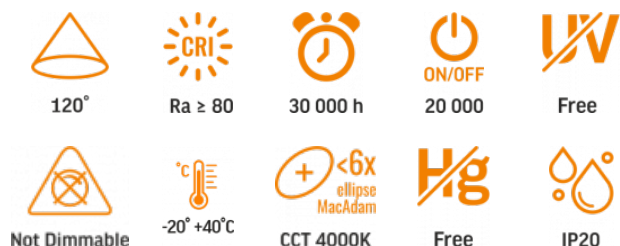


Pursuant to the provisions of the WEEE Act, it is forbidden to put waste equipment marked with the symbol of a crossed out bin together with other waste. The user, wishing to get rid of electronic and electrical equipment, is obliged to return it to a waste equipment collection point. There are no hazardous components in the equipment that have a particularly negative impact on the environment and human health.

VIDEX®

VIDEX-LED-CEILING-DL3S-24W-BLACK-4K

INDEX: VL-DL3S-244B



WARRANTY 2 YEARS

NEUTRAL WHITE



4000K

Neutral White / Neutralny biały / Neutralni bila / Blanc neuter / Neutrálna biela / Neutraal wit / Semleges feher / Nevtralno bela / Neutralno bijela / Neutralweiß / Alb neutru / Neutralus balta / Neitrāls balta / Neutraalne valge / Нейтрално бяла / Bianco neutro.

General parameters

Light source or containing product	Containing product
Control gear replaceable	by the producer
Light source replaceable	by the producer

Type of light source

Dimmable	no
Directional (DLS) or non-directional (NDLS) light source	NDLS
Connected light source (cls)	no
Color-tunable light source	no
Mains (MLS) or non-mains (NMLS) light source	NMLS
High luminance light source	No
Anti-glare shield	No

Technology	LED
Energy efficiency class of the contained light source	E

Electrical parameters

On-mode power (Pon)	22 W
Rated voltage, frequency	AC 220-240 V, 50/60 Hz
Rated current	218 mA
Input interface	Free wire ends
Electric shock protection class	II
Energy consumption in on-mode of the light source (kWh/1000h)	24
Displacement factor (cos φ1)	-
Survival factor	1

Photometric parameters

Useful luminous flux of the contained light source (Φuse)	2900 Lm
Correlated color temperature	4000K (neutral white)
Beam angle	120°
Color rendering index (CRI)	Ra > 80
Lifetime	30000 h
On/Off cycles	20000
Useful luminous flux of the light source reference	in a sphere (360°)
Chromaticity coordinates (x)	0.38
Chromaticity coordinates (y)	0.38
R9 colour rendering index value	>0

INDEX: VL-DL3S-244B

The lumen maintenance factor	≥96%
Colour consistency in MacAdam ellipses (SDCM)	<6 (4000K)
Flicker metric (Pst LM)	-
Stroboscopic effect metric (SVM)	-
CRI Min	Ra 80
CRI Max	Ra 88

Additional information

Place of installation	Ceiling
Place of application	indoor
Housing colour	Black
Minimum distance from the illuminated object	0.5 m
Diffuser material	Polycarbonate (PC), Polypropylene (PP), Polystyrene (PS)
Ultraviolet radiation	no
Operating temperature range	-20° +40°C
Suitable for installation in normally flammable surfaces	yes
Mercury content	Does not contain
Ingress protection	IP20
Housing material	PC

Dimensions

EAN	4820246485227
Width	292 mm
Height	292 mm

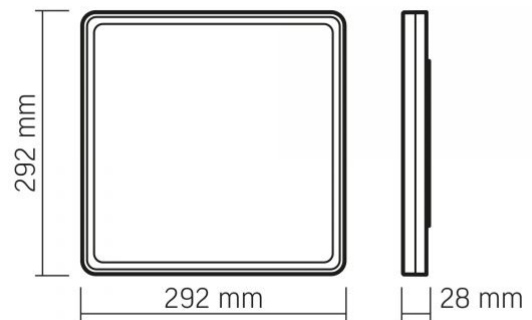
Depth	28 mm
In the package	1 pc.
Outer box	12 pcs.
Unit nett weight	820g

Signs marking goods

Packaging marking

Recycling of waste, CE, Utilization



VIDEX[®]**VIDEX-LED-CEILING-DL3S-24W-BLACK-4K****INDEX: VL-DL3S-244B**

We reserve the right to make technical changes. The data contained in this material is not legally binding.

Allegro opt Sp. z o.o., ul. Mierzeja Wiślana 11,
30-732 Krakow, Poland.

INDEX: VL-DL3S-244B

-  The product must be used indoors
-  Minimum distance from the illuminated object
0,5 m
-  Class of protection against electric shock II - provided not only by basic insulation but also by double or reinforced insulation
-  The product can be installed and used in/on normally flammable surfaces
-  Waste recycling after the end of the product's service life
-  The product meets the requirements of EU directives
-  It is forbidden to throw away waste equipment marked with the symbol of a crossed-out bin with other waste
-  — Rated beam angle
120°
-  — Ra > 80 - color rendering index
Ra > 80
-  — Nominal lifetime (hours)
30 000 h
-  — Rated On/off cycles
20 000
-  — The product does not emit ultraviolet light
Free
-  — The product is incompatible with light regulators
Not Dimmable
-  — Operating temperatures range
-20° +40°C
-  — Colour consistency in MacAdam ellipses (SDCM)
CCT 4000K
-  — The product does not contain mercury
Free
-  — Class of protection against dust and moisture. Protection against solid objects larger than 12 mm; no protection against moisture
IP20