

VIDEX®

VIDEX-LED-CEILING-DL3R-18W-WHITE-4K

INDEX: VL-DL3R-184W

TECHNICAL CARD



LED Ceiling Light



Pursuant to the provisions of the WEEE Act, it is forbidden to put waste equipment marked with the symbol of a crossed out bin together with other waste. The user, wishing to get rid of electronic and electrical equipment, is obliged to return it to a waste equipment collection point. There are no hazardous components in the equipment that have a particularly negative impact on the environment and human health.

INDEX: VL-DL3R-184W



WARRANTY 2 YEARS



Neutral White / Neutralny biały / Neutralni bila / Blanc neuter / Neutrálna biela / Neutraal wit / Semleges feher / Nevtralno bela / Neutralno bijela / Neutralweiß / Alb neutru / Neutralus balta / Neitrāls balta / Neutraalne valge / Нейтрално бяла / Bianco neutro.

General parameters

Control gear replaceable	by the producer
Light source replaceable	by the producer
Light source or containing product	Containing product

Type of light source

Energy class of the light source	F
Dimmable	no
Directional or non-directional light source	NDLS
Mains or non-mains light source	NMLS
Connected light source (cls)	no
Colour-tuneable light source (CTLS)	no
High luminance light source	No
Anti-glare shield	No

Technology	LED
------------	-----

Electrical parameters

On-mode power (Pon)	18 W
Rated voltage, frequency	AC 220-240 V, 50/60 Hz
Rated current	156 mA
Input interface	Free wire ends
Electric shock protection class	II
Energy consumption in on-mode of the light source (kWh/1000h)	18
Displacement factor (cos φ1)	-
Survival factor	1

Photometric parameters

Useful luminous flux of the light source (Φuse)	2000 Lm
Correlated color temperature	4000K (neutral white)
Beam angle	120°
Color rendering index (CRI)	Ra > 80
Lifetime	30000 h
On/Off cycles	20000
Useful luminous flux of the light source reference	in a sphere (360°)
Chromaticity coordinates (x)	0.38
Chromaticity coordinates (y)	0.38
R9 colour rendering index value	>0
The lumen maintenance factor	≥96%

INDEX: VL-DL3R-184W

Colour consistency in MacAdam ellipses (SDCM)	<6 (4000K)
Flicker metric (Pst LM)	-
Stroboscopic effect metric (SVM)	-
CRI Min	Ra 80
CRI Max	Ra 88

Unit nett weight	800g
In the package	1 pc.

Signs marking goods

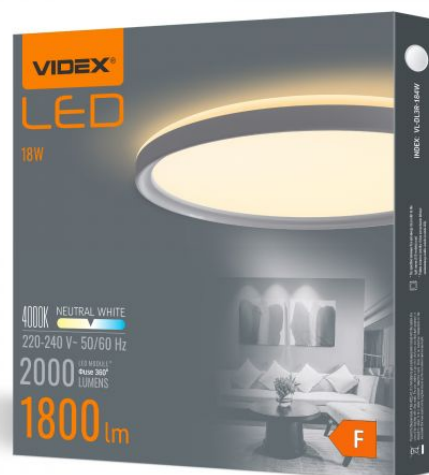
Packaging marking	Recycling of waste, CE, Utilization
-------------------	-------------------------------------

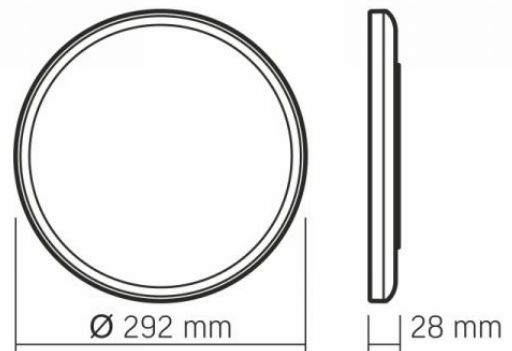
Additional information

Place of installation	Ceiling
Place of application	indoor
Housing colour	White
Minimum distance from the illuminated object	0.5 m
Diffuser material	PP, Polystyrene
Ultraviolet radiation	no
Operating temperature range	-20° +40°C
Suitable for installation in normally flammable surfaces	yes
Mercury content	Does not contain
Ingress protection	IP20
Housing material	PC

Dimensions

EAN	4820246484350
Height	292 mm
Width	292 mm
Depth	28 mm
Outer box	12 pcs.



VIDEX[®]**VIDEX-LED-CEILING-DL3R-18W-WHITE-4K****INDEX: VL-DL3R-184W**

We reserve the right to make technical changes. The data contained in this material is not legally binding.

Allegro Opt Sp. z o.o., Handlowa 23, 05-120 Legionowo, Poland.