

TECHNICAL CARD

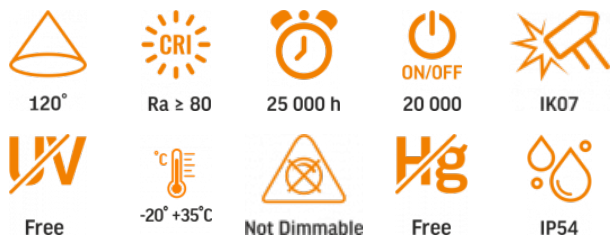


LED Bulkhead Light with motion detector



Pursuant to the provisions of the WEEE Act, it is forbidden to put waste equipment marked with the symbol of a crossed out bin together with other waste. The user, wishing to get rid of electronic and electrical equipment, is obliged to return it to a waste equipment collection point. There are no hazardous components in the equipment that have a particularly negative impact on the environment and human health.

VIDEX®



WARRANTY 2 YEARS



Neutral White / Neutralny biały / Neutralni bila / Blanc neuter / Neutrálna biela / Neutraal wit / Semleges feher / Nevtralno bela / Neutralno bijela / Neutralweiß / Alb neutru / Neutralus balta / Neitrāls balta / Neutraalne valge / Нейтрално бяла / Bianco neutro.

General parameters

Light source replaceable by the producer

Type of light source

Energy class of the light source F

Dimmable no

Electrical parameters

On-mode power (Pon) 11 W

Rated voltage, frequency AC 220-240 V, 50/60 Hz

Rated current 95 mA

Input interface Free wire ends

Electric shock protection class II

VIDEX-BULKHEAD-LED-PIR-KIRA-11W-NW

INDEX: VLE-BHR-115W-SP

Photometric parameters

Useful luminous flux of the light source (Φuse) 1200 Lm

Correlated color temperature 5000K (neutral white)

Beam angle 120°

Color rendering index (CRI) Ra > 80

Lifetime 25000 h

On/Off cycles 20000

Useful luminous flux of the light source reference in a sphere (360°)

Additional information

Place of installation Ceiling, Flat surface, Wall

Place of application indoor, outdoor

Housing colour White

Impact protection IK07

Minimum distance from the illuminated object 0.5 m

Diffuser material Polycarbonate (PC)

Ultraviolet radiation no

Motion sensor yes

Sensor type PIR

Sensor detection angle 120°

Sensor time delay 60 s

Sensor detection distance ≤6 m

Sensor light threshold 25 Lx

Operating temperature range -20° +35°C

VIDEX®

VIDEX-BULKHEAD-LED-PIR-KIRA-11W-NW

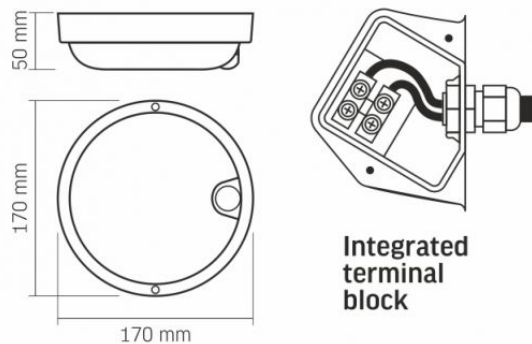
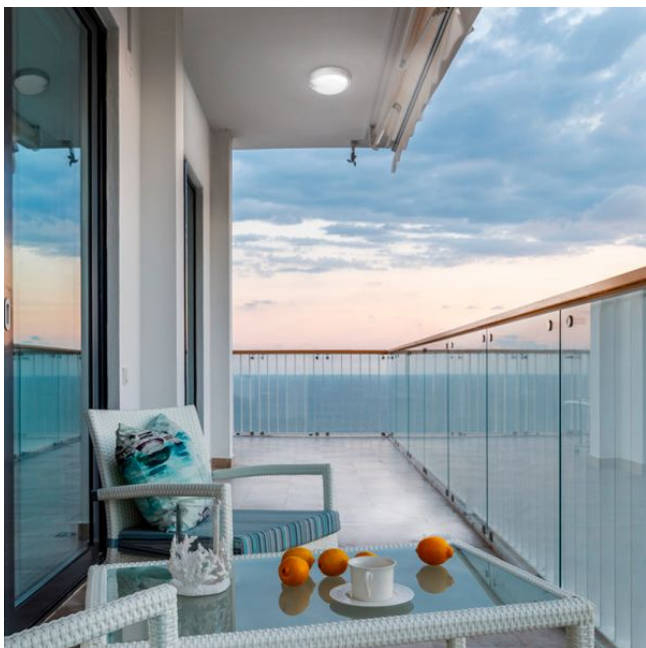
INDEX: VLE-BHR-115W-SP

Mercury content	Does not contain
Ingress protection	IP54
Housing material	Plastic

Dimensions

EAN	5904405540978
Height	170 mm
Width	170 mm
Depth	50 mm
Outer box	20 pcs.



INDEX: VLE-BHR-115W-SP

We reserve the right to make technical changes. The data contained in this material is not legally binding.

Allegro opt Sp. z o.o., ul. Mierzeja Wiślana 11,
30-732 Krakow, Poland.