

TECHNICAL CARD

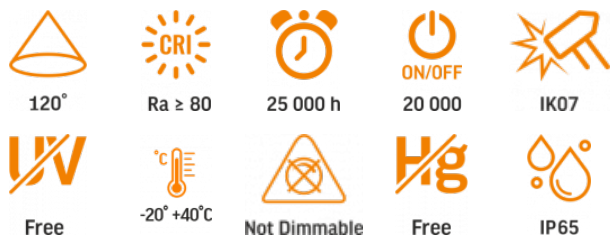


LED Bulkhead Light



Pursuant to the provisions of the WEEE Act, it is forbidden to put waste equipment marked with the symbol of a crossed out bin together with other waste. The user, wishing to get rid of electronic and electrical equipment, is obliged to return it to a waste equipment collection point. There are no hazardous components in the equipment that have a particularly negative impact on the environment and human health.

VIDEX®



WARRANTY 2 YEARS



Neutral White / Neutralny biały / Neutralni bila / Blanc neuter / Neutrálna biela / Neutraal wit / Semleges feher / Nevtralno bela / Neutralno bijela / Neutralweiß / Alb neutru / Neutralus balta / Neitrāls balta / Neutraalne valge / Нейтрално бяла / Bianco neutro.

General parameters

Light source or containing product	Containing product
-------------------------------------------	--------------------

Light source replaceable	by the producer
---------------------------------	-----------------

Type of light source

Energy class of the light source	F
-----------------------------------------	---

Dimmable	no
-----------------	----

Electrical parameters

On-mode power (Pon)	15 W
----------------------------	------

Rated voltage, frequency	AC 220-240 V, 50/60 Hz
---------------------------------	------------------------

Rated current	130 mA
----------------------	--------

Input interface	Terminal block
------------------------	----------------

Electric shock protection class	II
----------------------------------------	----

VIDEX-BULKHEAD-LED-VIKA-15W-NW

INDEX: VLE-BHFS-155

Photometric parameters

Useful luminous flux of the contained light source (Φuse)	1550 Lm
------------------------------------------------------------------	---------

Correlated color temperature	5000K (neutral white)
-------------------------------------	-----------------------

Beam angle	120°
-------------------	------

Color rendering index (CRI)	Ra > 80
------------------------------------	---------

Lifetime	25000 h
-----------------	---------

On/Off cycles	20000
----------------------	-------

Useful luminous flux of the light source reference	in a sphere (360°)
-----------------------------------------------------------	--------------------

Additional information

Place of installation	Ceiling, Flat surface, Wall
------------------------------	-----------------------------

Place of application	indoor, outdoor
-----------------------------	-----------------

Impact protection	IK07
--------------------------	------

Housing colour	White
-----------------------	-------

Minimum distance from the illuminated object	0.5 m
-----------------------------------------------------	-------

Diffuser material	Polycarbonate (PC)
--------------------------	--------------------

Ultraviolet radiation	no
------------------------------	----

Operating temperature range	-20° +40°C
------------------------------------	------------

Mercury content	Does not contain
------------------------	------------------

Ingress protection	IP65
---------------------------	------

Housing material	Plastic
-------------------------	---------

Dimensions

VIDEX®

VIDEX-BULKHEAD-LED-VIKA-15W-NW

INDEX: VLE-BHFS-155

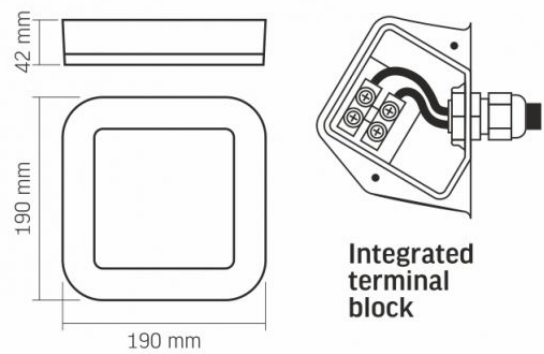
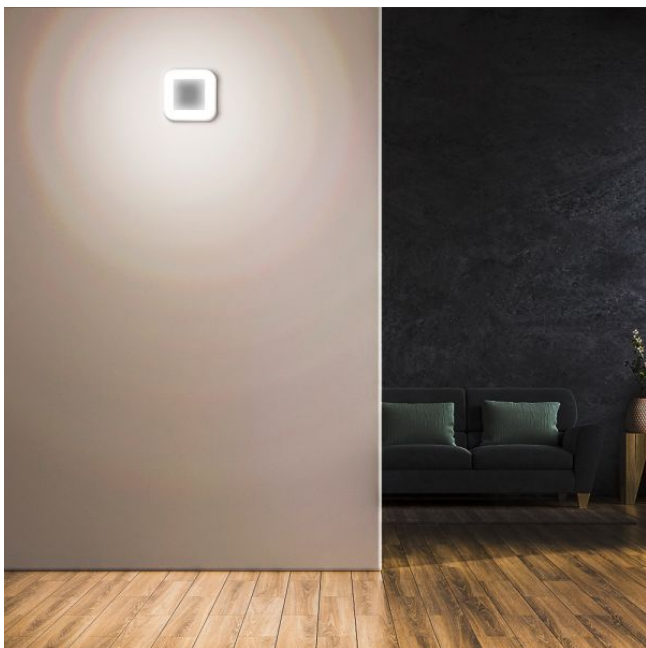
EAN	5904405540930
Height	190 mm
Width	190 mm
Depth	42 mm

Signs marking goods

Packaging marking

Recycling of
waste, CE,
Utilization



INDEX: VLE-BHFS-155

We reserve the right to make technical changes. The data contained in this material is not legally binding.

Allegro opt Sp. z o.o., ul. Mierzeja Wiślana 11,
30-732 Krakow, Poland.