

TECHNICAL CARD



LED Bulkhead Light

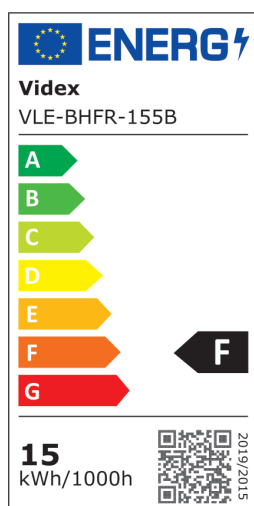


Pursuant to the provisions of the WEEE Act, it is forbidden to put waste equipment marked with the symbol of a crossed out bin together with other waste. The user, wishing to get rid of electronic and electrical equipment, is obliged to return it to a waste equipment collection point. There are no hazardous components in the equipment that have a particularly negative impact on the environment and human health.

VIDEX®



WARRANTY 2 YEARS



NEUTRAL WHITE

5000K

Neutral White / Neutralny biały / Neutralni bila / Blanc neuter / Neutrálna biela / Neutraal wit / Semleges feher / Nevtralno bela / Neutralno bijela / Neutralweiß / Alb neutru / Neutralus balta / Neitrāls balta / Neutraalne valge / Нейтрално бяла / Bianco neutro.

General parameters

Light source or containing product	Containing product
Light source replaceable	by the producer

VIDEX-BULKHEAD-LED-LENA-BLACK-15W-NW

INDEX: VLE-BHFR-155B

Type of light source

Energy efficiency class of the contained light source	F
Dimmable	no
Directional (DLS) or non-directional (NDLS) light source	NDLS
Connected light source (cls)	no
Color-tunable light source	no
Mains (MLS) or non-mains (NMLS) light source	MLS
High luminance light source	No
Anti-glare shield	No
Technology	LED

Electrical parameters

On-mode power (Pon)	15 W
Rated voltage, frequency	AC 220-240 V, 50/60 Hz
Rated current	130 mA
Input interface	Terminal block
Electric shock protection class	II
Displacement factor (cos φ1)	0.7
Survival factor	1
Energy consumption in on-mode of the light source (kWh/1000h)	15

Photometric parameters

Useful luminous flux of the contained light source (Φuse)	1550 Lm
---	---------

INDEX: VLE-BHFR-155B

Correlated color temperature	5000K (neutral white)
Beam angle	120°
Color rendering index (CRI)	Ra > 80
On/Off cycles	20000
Lifetime (L70B50)	25000 h
Useful luminous flux of the light source reference	in a sphere (360°)
Chromaticity coordinates (x)	0.35
Chromaticity coordinates (y)	0.36
R9 colour rendering index value	>0
The lumen maintenance factor	≥95.8%
Flicker metric (Pst LM)	≤1
Stroboscopic effect metric (SVM)	≤0.4
Colour consistency in MacAdam ellipses (SDCM)	<6 (5000K)
CRI Min	Ra 80
CRI Max	Ra 88

Additional information

Place of installation	Ceiling, Flat surface, Wall
Place of application	indoor, outdoor
Impact protection	IK07
Housing colour	Black
Diffuser material	Polycarbonate (PC)
Minimum distance from the illuminated object	0.5 m
Ultraviolet radiation	no

Operating temperature range	-20° +40°C
Suitable for installation in normally flammable surfaces	yes
Mercury content	Does not contain
Ingress protection	IP65
Housing material	Plastic

Dimensions

EAN	5904405542569
In the package	1 pc.
Height	190 mm
Outer box	24 pcs.
Width	190 mm
Depth	42 mm
Unit nett weight	300g

Signs marking goods

Packaging marking	Recycling of waste, CE, Utilization
--------------------------	-------------------------------------

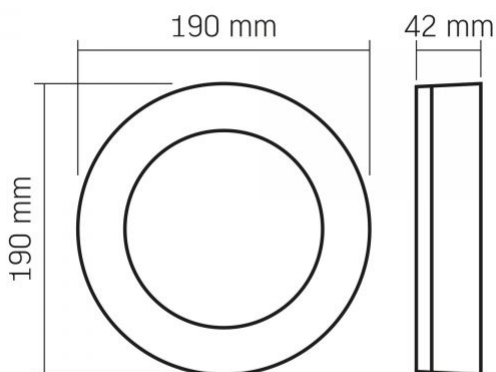
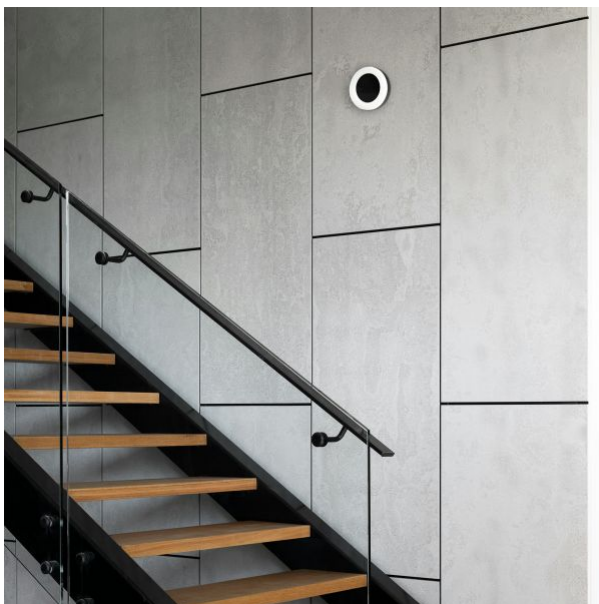
VIDEX®

VIDEX-BULKHEAD-LED-LENA-BLACK-15W-NW

INDEX: VLE-BHFR-155B



INDEX: VLE-BHFR-155B



We reserve the right to make technical changes. The data contained in this material is not legally binding.

Allegro opt Sp. z o.o., ul. Mierzeja Wiślana 11,
30-732 Krakow, Poland.



The product must be used indoors



The product must be used outdoors



Class of protection against electric shock II - provided not only by basic insulation but also by double or reinforced insulation



Minimum distance from the illuminated object



The product can be installed and used in/on normally flammable surfaces



Waste recycling after the end of the product's service life



The product meets the requirements of EU directives



It is forbidden to throw away waste equipment marked with the symbol of a crossed-out bin with other waste



120°

Rated beam angle



Ra > 80

Ra > 80 - color rendering index



20 000

Rated On/off cycles



IK07

The product withstands a medium impact (e.g., from a blunt object)



25 000 h

Nominal lifetime (hours)



Free

The product does not emit ultraviolet light



Not Dimmable

The product is incompatible with light regulators



-20° +40°

Operating temperatures range



No Flicker

The flickering of the light does not exceed the permissible level



No Flicker

The product has minimal flickering, which should not cause discomfort or danger



CCT 5000K

Colour consistency in MacAdam ellipses (SDCM)



Free

The product does not contain mercury



IP65

Class of protection against dust and moisture. The product has full protection against dust and water jets from all directions