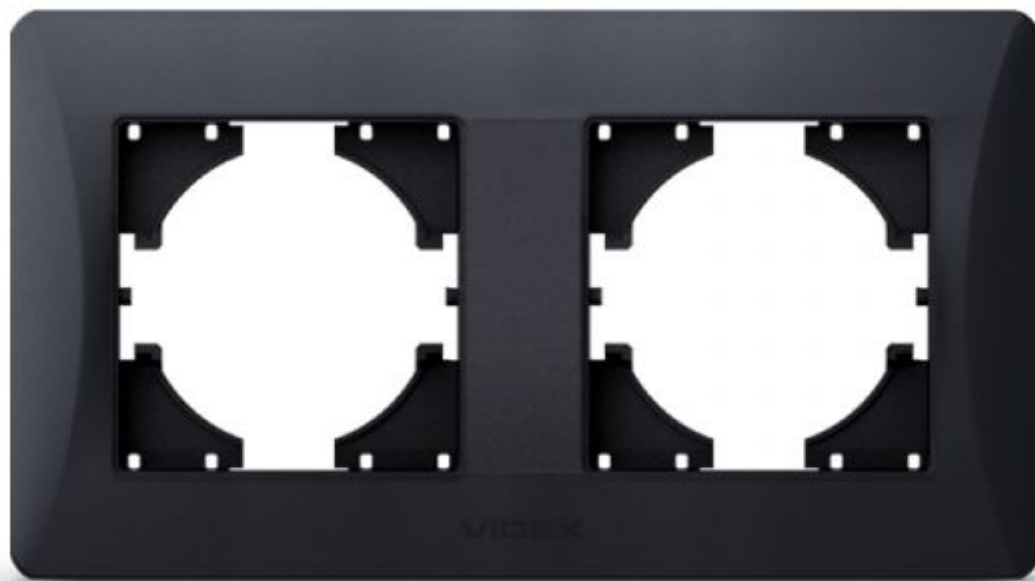


## TECHNICAL CARD



Frame 2 gang horizontal black graphite





IP20

## WARRANTY 3 YEARS

VIDEX BINERA frames allow you to create an integral structure from several fittings, solving any tasks of ergonomics and aesthetics. The VIDEX BINERA frame is a perfect construction whose materials provide a long service life and are able to withstand critical temperatures, guaranteeing safety. The versatile and perfect design will add sophistication and comfort to any room.

### Additional information

<b>Ingress protection</b>	IP20
---------------------------	------

### Dimensions

<b>EAN</b>	4820118295237
------------	---------------

<b>Height</b>	157 mm
---------------	--------

<b>Width</b>	86 mm
--------------	-------

<b>Depth</b>	9 mm
--------------	------

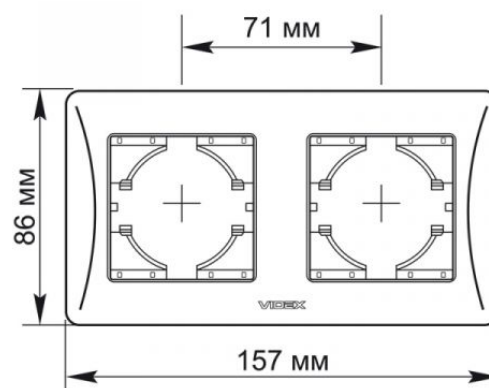
<b>In the package</b>	1 pc.
-----------------------	-------

<b>Outer box</b>	96 pcs.
------------------	---------

### Signs marking goods

Packaging marking

Utilization



We reserve the right to make technical changes. The data contained in this material is not legally binding.

Allegro opt Sp. z o.o., ul. Mierzeja Wiślana 11,  
30-732 Krakow, Poland.