

INDEX: VL-SPF26A-W

TECHNICAL CARD



Ceiling spotlight luminaire



Pursuant to the provisions of the WEEE Act, it is forbidden to put waste equipment marked with the symbol of a crossed out bin together with other waste. The user, wishing to get rid of electronic and electrical equipment, is obliged to return it to a waste equipment collection point. There are no hazardous components in the equipment that have a particularly negative impact on the environment and human health.

VIDEX®



IK07



-25° +50°C



Free



IP20

WARRANTY 2 YEARS

General parameters

Light source replaceable end user

Electrical parameters

Rated voltage, frequency AC 220-240 V, 50/60 Hz

Input interface Terminal block

Electric shock protection class I

Additional information

Place of installation Ceiling

Place of application indoor

Housing colour White

Impact protection IK07

Operating temperature range -25° +50°C

Mercury content Does not contain

Ingress protection IP20

Housing material Iron alloy

Dimensions

EAN 4820246485890

Height 55 mm

VIDEX for GX53 lamp VL-SPF26A-W

INDEX: VL-SPF26A-W

Width 80 mm

Depth 80 mm

In the package 1 pc.

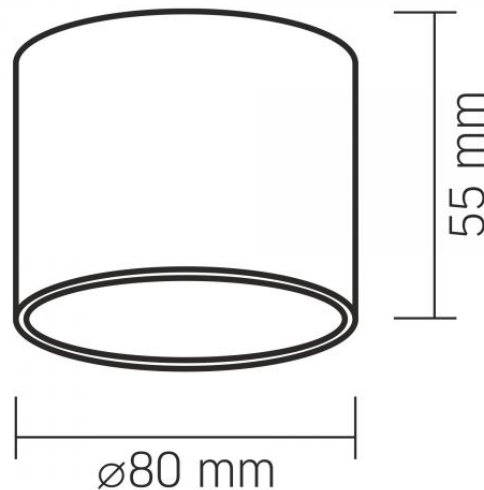
Outer box 50 pcs.

Unit nett weight 130g

Signs marking goods

Packaging marking CE, Utilization



INDEX: VL-SPF26A-W

We reserve the right to make technical changes. The data contained in this material is not legally binding.

Allegro opt Sp. z o.o., ul. Mierzeja Wiślana 11,
30-732 Krakow, Poland.