

## TECHNICAL CARD



Ceiling spotlight luminaire



Pursuant to the provisions of the WEEE Act, it is forbidden to put waste equipment marked with the symbol of a crossed out bin together with other waste. The user, wishing to get rid of electronic and electrical equipment, is obliged to return it to a waste equipment collection point. There are no hazardous components in the equipment that have a particularly negative impact on the environment and human health.

# VIDEX®



IK07



Free



IP20

## WARRANTY 2 YEARS

### General parameters

**Light source replaceable** end user

### Electrical parameters

**Rated voltage, frequency** AC 220-240 V, 50/60 Hz

**Input interface** Terminal block

**Electric shock protection class** I

### Additional information

**Place of installation** Ceiling

**Place of application** indoor

**Housing colour** White

**Impact protection** IK07

**Operating temperature range** -25° +50°C

**Mercury content** Does not contain

**Ingress protection** IP20

**Housing material** Iron alloy

### Dimensions

**EAN** 4820246485876

**Height** 70 mm

## VIDEX for GX53 lamp VL-SPF25A-W

### INDEX: VL-SPF25A-W

**Width** 80 mm

**Depth** 80 mm

**Outer box** 50 pcs.

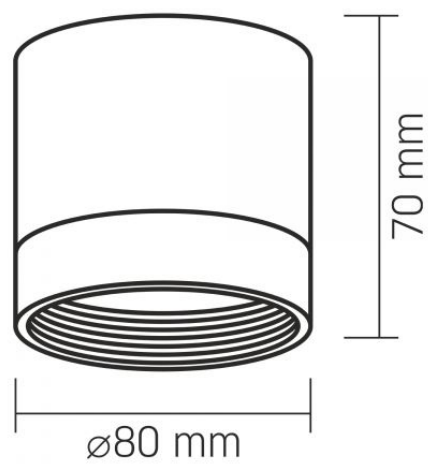
**Unit nett weight** 150g

**In the package** 1 pc.

### Signs marking goods

**Packaging marking** CE, Utilization



**INDEX: VL-SPF25A-W**

We reserve the right to make technical changes. The data contained in this material is not legally binding.

Allegro Opt Sp. z o.o., Handlowa 23, 05-120 Legionowo, Poland.