

INDEX: VL-SPF21B-BB

TECHNICAL CARD



Ceiling spotlight luminaire



Pursuant to the provisions of the WEEE Act, it is forbidden to put waste equipment marked with the symbol of a crossed out bin together with other waste. The user, wishing to get rid of electronic and electrical equipment, is obliged to return it to a waste equipment collection point. There are no hazardous components in the equipment that have a particularly negative impact on the environment and human health.

VIDEX®



Ra ≥ 80



20 000



IK07



40 000 h



Not Dimmable



-25° +50°C



Free



IP20

WARRANTY 2 YEARS

General parameters

Light source or containing product	Containing product
------------------------------------	--------------------

Light source replaceable	by the producer
--------------------------	-----------------

Type of light source

Energy efficiency class of the contained light source	F
---	---

Dimmable	no
----------	----

Technology	LED
------------	-----

Electrical parameters

On-mode power (P _{on})	9 W (back light)
----------------------------------	------------------

Rated voltage, frequency	AC 220-240 V, 50/60 Hz, AC 185-240 V, 50/60 Hz (back light)
--------------------------	---

Input interface	Terminal block
-----------------	----------------

Electric shock protection class	I
---------------------------------	---

Displacement factor (cos φ ₁)	0.5
---	-----

VIDEX for 4xGX53 lamp with backlight VL-SPF21B-BB

INDEX: VL-SPF21B-BB

Energy consumption in on-mode of the light source (kWh/1000h) 9

Photometric parameters

Useful luminous flux of the contained light source (Φ _{use})	830 Lm (backlight)
--	--------------------

Correlated color temperature	2700K (back light)
------------------------------	--------------------

Color rendering index (CRI)	Ra > 80
-----------------------------	---------

On/Off cycles	20000
---------------	-------

Lifetime (L70B50)	40000 h
-------------------	---------

Useful luminous flux of the light source reference	in a sphere (360°)
--	--------------------

Additional information

Place of installation	Ceiling
-----------------------	---------

Place of application	indoor
----------------------	--------

Impact protection	IK07
-------------------	------

Housing colour	Black
----------------	-------

Operating temperature range	-25° +50°C
-----------------------------	------------

Mercury content	Does not contain
-----------------	------------------

Ingress protection	IP20
--------------------	------

Housing material	Aluminum, Iron alloy, Ceramics
------------------	--------------------------------

Dimensions

EAN	4820246487085
-----	---------------

In the package	1 pc.
----------------	-------

Outer box	10 pcs.
-----------	---------

VIDEX®

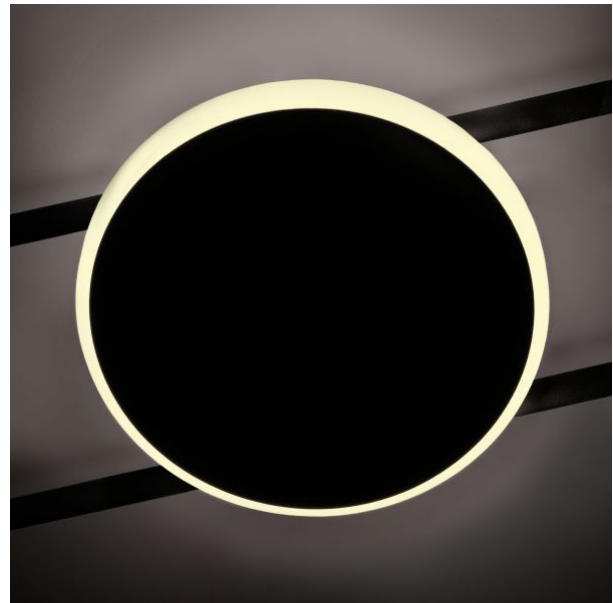
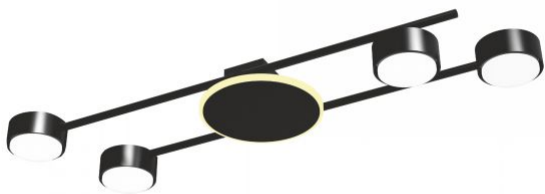
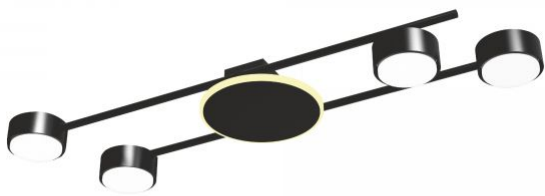
VIDEX for 4xGX53 lamp with backlight VL-SPF21B-BB

INDEX: VL-SPF21B-BB

Height	35 mm, 36 mm
Width	600 mm, 85 mm
Depth	85 mm, 170 mm
Unit nett weight	960g

Signs marking goods

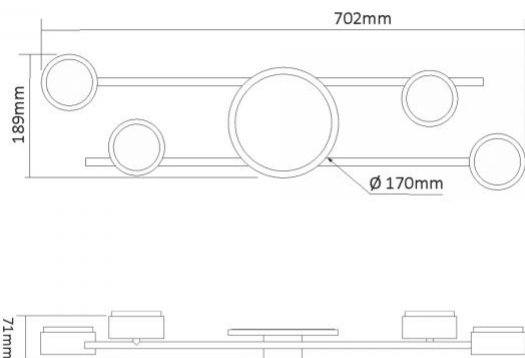
Packaging marking CE, Utilization



VIDEX®

VIDEX for 4xGX53 lamp with backlight VL-SPF21B-BB

INDEX: VL-SPF21B-BB



We reserve the right to make technical changes. The data contained in this material is not legally binding.

Allegro opt Sp. z o.o., ul. Mierzeja Wiślana 11,
30-732 Krakow, Poland.



The product must be used indoors



Protection against electric shock class I. A product in which the means of protection against electric shock, in addition to the main insulation, is an additional protective circuit connected to the grounding of the power supply network



The product meets the requirements of EU directives



It is forbidden to throw away waste equipment marked with the symbol of a crossed-out bin with other waste



Ra > 80

— Ra > 80 - color rendering index



ON/OFF
20 000

— Rated On/off cycles



IK07

— The product withstands a medium impact (e.g., from a blunt object)



40 000 h

— Nominal lifetime (hours)



Not Dimmable

— The product is incompatible with light regulators



-25°+50°C

— Operating temperatures range



Free

— The product does not contain mercury



IP20

— Class of protection against dust and moisture. Protection against solid objects larger than 12 mm; no protection against moisture