

TECHNICAL CARD



Ceiling spotlight luminaire



Pursuant to the provisions of the WEEE Act, it is forbidden to put waste equipment marked with the symbol of a crossed out bin together with other waste. The user, wishing to get rid of electronic and electrical equipment, is obliged to return it to a waste equipment collection point. There are no hazardous components in the equipment that have a particularly negative impact on the environment and human health.



IK07



Free



IP20

WARRANTY 2 YEARS

General parameters

Light source replaceable end user

Electrical parameters

Rated voltage, frequency AC 220-240 V, 50/60 Hz

Input interface Terminal block

Electric shock protection class I

Additional information

Place of installation Ceiling, Recessed, Flat surface

Place of application indoor

Housing colour White

Impact protection IK07

Operating temperature range -25° +50°C

Mercury content Does not contain

Ingress protection IP20

Housing material Aluminum

Dimensions

EAN 4820246484688

VIDEX for GX53 lamp VL-SPF16A-W

INDEX: VL-SPF16A-W

Height 50 mm

Width 90 mm

Depth 90 mm

Outer box 50 pcs.

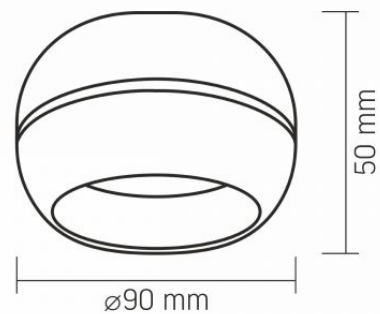
Unit nett weight 220g

In the package 1 pc.

Signs marking goods

Packaging marking CE, Utilization



INDEX: VL-SPF16A-W

We reserve the right to make technical changes. The data contained in this material is not legally binding.

Allegro Opt Sp. z o.o., Handlowa 23, 05-120 Legionowo, Poland.