

**INDEX: VL-SPF12A-W**

## TECHNICAL CARD



Pursuant to the provisions of the WEEE Act, it is forbidden to put waste equipment marked with the symbol of a crossed out bin together with other waste. The user, wishing to get rid of electronic and electrical equipment, is obliged to return it to a waste equipment collection point. There are no hazardous components in the equipment that have a particularly negative impact on the environment and human health.

# VIDEX®



IK07



-25° +50°C



Free



IP20

## WARRANTY 2 YEARS

### General parameters

**Light source replaceable** end user

### Electrical parameters

**Rated voltage, frequency** AC 220-240 V, 50/60 Hz

**Input interface** Terminal block

**Electric shock protection class** I

### Additional information

**Place of installation** Ceiling

**Place of application** indoor

**Housing colour** White

**Impact protection** IK07

**Operating temperature range** -25° +50°C

**Mercury content** Does not contain

**Ingress protection** IP20

**Housing material** Aluminum

### Dimensions

**EAN** 4820246483018

**Height** 84 mm

## Ceiling spotlight luminaire VL-SPF12A-W

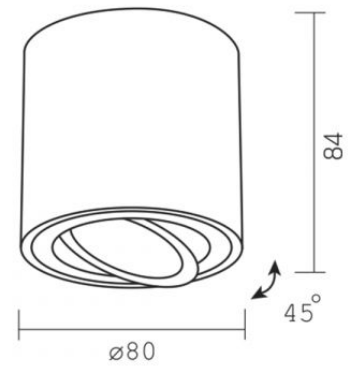
### INDEX: VL-SPF12A-W

**Width** 80 mm

**Depth** 80 mm

**Outer box** 40 pcs.



**INDEX: VL-SPF12A-W**

We reserve the right to make technical changes. The data contained in this material is not legally binding.

Allegro opt Sp. z o.o., ul. Mierzeja Wiślana 11,  
30-732 Krakow, Poland.