

TECHNICAL CARD



Ceiling spotlight luminaire



VIDEX®



IK07



Free



IP20

WARRANTY 2 YEARS

The body of the lamp is made of aluminum - a light and durable metal that is not subject to corrosion. The surface of the case is covered with matte paint with a sandy texture, resistant to small scratches. Depending on the type of lamps used, this lamp can be used both for general lighting of rooms and for accent lighting of individual zones in the interior.

General parameters

Light source replaceable	end user
---------------------------------	----------

Electrical parameters

Rated voltage, frequency	AC 220-240 V, 50/60 Hz
---------------------------------	------------------------

Input interface	Terminal block
------------------------	----------------

Electric shock protection class	I
--	---

Additional information

Place of installation	Ceiling
------------------------------	---------

Place of application	indoor
-----------------------------	--------

Impact protection	IK07
--------------------------	------

Housing colour	White
-----------------------	-------

Operating temperature range	-20° +40°C
------------------------------------	------------

Mercury content	Does not contain
------------------------	------------------

VIDEX-GU10-STANLEY-WHITE

INDEX: VL-SPF04A-WPW

Ingress protection	IP20
Housing material	Aluminum

Dimensions

EAN	4820246482035
------------	---------------

Height	100 mm
---------------	--------

Width	80 mm
--------------	-------

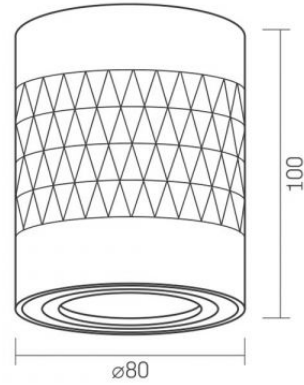
Depth	80 mm
--------------	-------

Outer box	20 pcs.
------------------	---------



VIDEX®

VIDEX-GU10-STANLEY-WHITE

INDEX: VL-SPF04A-WPW

We reserve the right to make technical changes. The data contained in this material is not legally binding.

Allegro opt Sp. z o.o., ul. Mierzeja Wiślana 11,
30-732 Krakow, Poland.