

TECHNICAL CARD



Spot track luminaire



Pursuant to the provisions of the WEEE Act, it is forbidden to put waste equipment marked with the symbol of a crossed out bin together with other waste. The user, wishing to get rid of electronic and electrical equipment, is obliged to return it to a waste equipment collection point. There are no hazardous components in the equipment that have a particularly negative impact on the environment and human health.

VIDEX®



IK07



-20° +40°C



Free



IP20

WARRANTY 2 YEARS

The body of the lamp is made of aluminum - a light and durable metal that is not subject to corrosion. The surface of the case is covered with matte paint with a sandy texture, resistant to small scratches. Depending on the type of lamps used, this lamp can be used both for general lighting of rooms and for accent lighting of individual zones in the interior.

General parameters

Light source replaceable	end user
--------------------------	----------

Electrical parameters

Rated voltage, frequency	AC 220-240 V, 50/60 Hz
--------------------------	------------------------

Input interface	2 Wires Busbar
-----------------	-------------------

Electric shock protection class	I
---------------------------------	---

Additional information

Place of installation	Busbar track
-----------------------	--------------

Place of application	indoor
----------------------	--------

Impact protection	IK07
-------------------	------

Housing colour	White
----------------	-------

Operating temperature range	-20° +40°C
-----------------------------	------------

Mercury content	Does not contain
-----------------	------------------

VIDEX-GU10-SKOT-WHITE

INDEX: VL-SPF05C-W

Ingress protection	IP20
--------------------	------

Housing material	Aluminum
------------------	----------

Dimensions

EAN	4820246482172
-----	---------------

Height	100 mm
--------	--------

Width	55 mm
-------	-------

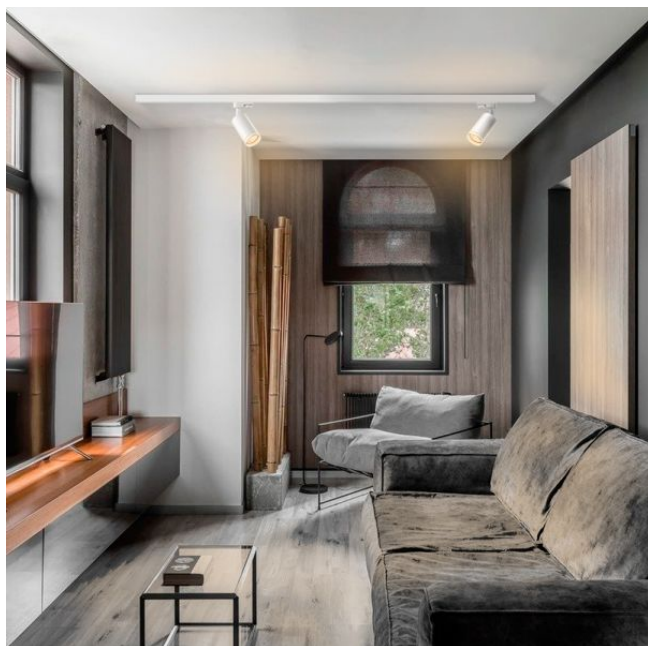
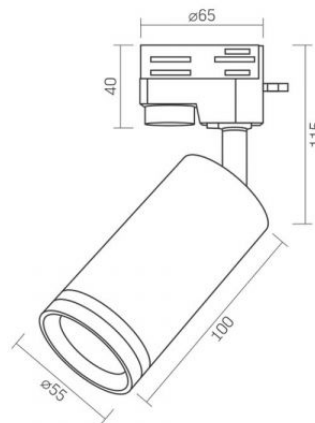
Depth	55 mm
-------	-------

Outer box	20 pcs.
-----------	---------



VIDEX[®]

VIDEX-GU10-SKOT-WHITE

INDEX: VL-SPF05C-W

We reserve the right to make technical changes. The data contained in this material is not legally binding.

Allegro opt Sp. z o.o., ul. Mierzeja Wiślana 11,
30-732 Krakow, Poland.