

## TECHNICAL CARD



Wall-mounted spot luminaire



# VIDEX®



IK07



-20° +40°C



Free



IP20

## WARRANTY 2 YEARS

### General parameters

**Light source replaceable** end user

### Electrical parameters

**Rated voltage, frequency** AC 220-240 V, 50/60 Hz

**Input interface** Terminal block

**Electric shock protection class** I

### Additional information

**Place of installation** Wall

**Place of application** indoor

**Impact protection** IK07

**Housing colour** Black

**Operating temperature range** -20° +40°C

**Mercury content** Does not contain

**Ingress protection** IP20

**Housing material** Aluminum

### Dimensions

**EAN** 4820246483032

**Outer box** 20 pcs.

## VIDEX-GU10-KENT-BLACK

### INDEX: VL-SPF05E-B

**Height** 100 mm

**Width** 55 mm

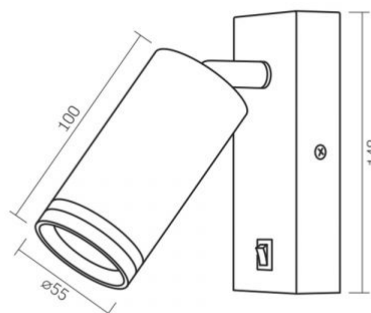
**Depth** 55 mm



# VIDEX®

## VIDEX-GU10-KENT-BLACK

### INDEX: VL-SPF05E-B



We reserve the right to make technical changes. The data contained in this material is not legally binding.

Allegro opt Sp. z o.o., ul. Mierzeja Wiślana 11,  
30-732 Krakow, Poland.



The product must be used indoors



Protection against electric shock class I. A product in which the means of protection against electric shock, in addition to the main insulation, is an additional protective circuit connected to the grounding of the power supply network



— The product withstands a medium impact (e.g., from a blunt object)



— Operating temperatures range



— The product does not contain mercury



— Class of protection against dust and moisture. Protection against solid objects larger than 12 mm; no protection against moisture