

**INDEX: VL-SPF08R-B**

## TECHNICAL CARD



Pursuant to the provisions of the WEEE Act, it is forbidden to put waste equipment marked with the symbol of a crossed out bin together with other waste. The user, wishing to get rid of electronic and electrical equipment, is obliged to return it to a waste equipment collection point. There are no hazardous components in the equipment that have a particularly negative impact on the environment and human health.

# VIDEX®



IK07



-25° +50°C



Free



IP20

## WARRANTY 2 YEARS

### General parameters

**Light source replaceable** end user

### Electrical parameters

**Rated voltage, frequency** AC 220-240 V, 50/60 Hz

**Input interface** Free wire ends

### Additional information

**Place of installation** Ceiling, Recessed

**Place of application** indoor

**Impact protection** IK07

**Housing colour** Black

**Operating temperature range** -25° +50°C

**Mercury content** Does not contain

**Ingress protection** IP20

**Housing material** Aluminum

### Dimensions

**EAN** 4820246482875

**Height** 25 mm

## Recessed spotlight luminaire VL-SPF08R-B

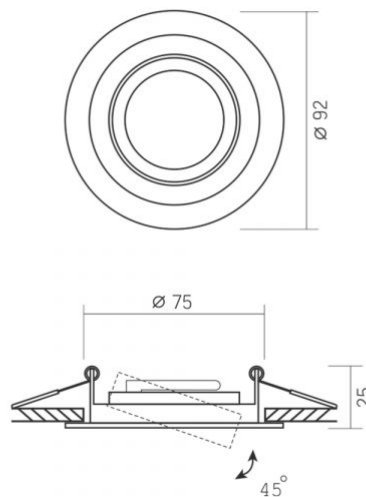
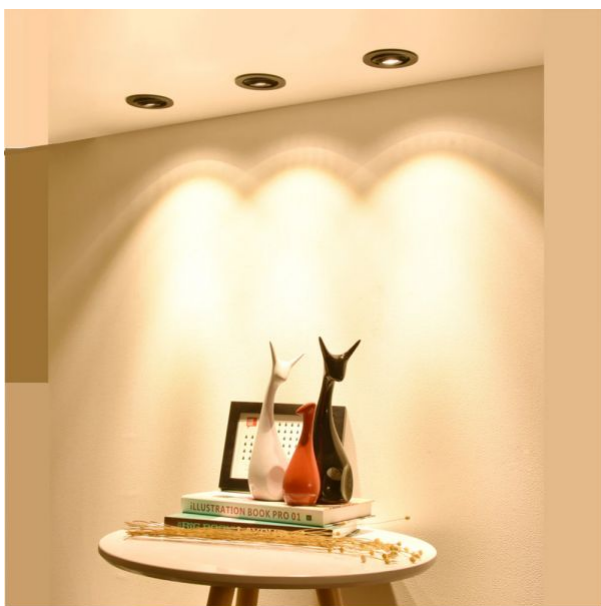
### INDEX: VL-SPF08R-B

**Outer box** 50 pcs.

**Width** 92 mm

**Depth** 92 mm



**INDEX: VL-SPF08R-B**


We reserve the right to make technical changes. The data contained in this material is not legally binding.

Allegro opt Sp. z o.o., ul. Mierzeja Wiślana 11,  
30-732 Krakow, Poland.



The product must be used indoors



IK07

The product withstands a medium impact (e.g., from a blunt object)



-25° +50°C

Operating temperatures range



Free

The product does not contain mercury



IP20

Class of protection against dust and moisture.  
Protection against solid objects larger than 12 mm;  
no protection against moisture