

TECHNICAL CARD



LED Solar Floodlight



Pursuant to the provisions of the WEEE Act, it is forbidden to put waste equipment marked with the symbol of a crossed out bin together with other waste. The user, wishing to get rid of electronic and electrical equipment, is obliged to return it to a waste equipment collection point. There are no hazardous components in the equipment that have a particularly negative impact on the environment and human health.

VIDEX®



WARRANTY 2 YEARS

NEUTRAL WHITE



Neutral White / Neutralny biały / Neutralni bila / Blanc neuter / Neutrálna biela / Neutraal wit / Semleges feher / Nevtralno bela / Neutralno bijela / Neutralweiß / Alb neutru / Neutralus balta / Neitrāls balta / Neutraalne valge / Неутрално бяла / Bianco neutro.

General parameters

Light source replaceable no

Type of light source

Dimmable yes

Electrical parameters

Cable length 1 m

Electric shock protection class III

Displacement factor (cos φ1) -

Photometric parameters

Luminous flux 600 Lm

Correlated color temperature 5000K (neutral white)

VIDEX-FLOOD-LED-SOLAR-GELIO-20W-NW

INDEX: VL-FSO-205

Beam angle	90°
Color rendering index (CRI)	Ra > 80
On/Off cycles	20000
Lifetime (L70B50)	30000 h
Chromaticity coordinates (x)	0.34
Chromaticity coordinates (y)	0.359

Additional information

Battery power	16 Wh
Vertical adjustment range	180°
Place of installation	Flat surface, Wall
Place of application	outdoor
Impact protection	IK07
Housing colour	Gray
Diffuser material	Polycarbonate (PC)
Minimum distance from the illuminated object	0.5 m
Motion sensor	no
Operating temperature range	-20° +50°C
Battery voltage	3.2 V
Battery capacity	5000 mAh
Battery type	LiFePO4
Battery replaceable	no
Mercury content	Does not contain
Ingress protection	IP65
Housing material	Aluminum alloy

VIDEX®

VIDEX-FLOOD-LED-SOLAR-GELIO-20W-NW

INDEX: VL-FSO-205

Dimensions

EAN	4820118298924
In the package	1 pc.
Height	145 mm
Outer box	5 pcs.
Width	128 mm
Depth	40 mm
Unit nett weight	1.9kg



Signs marking goods

Packaging marking

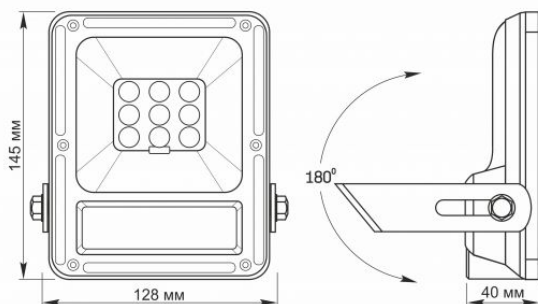
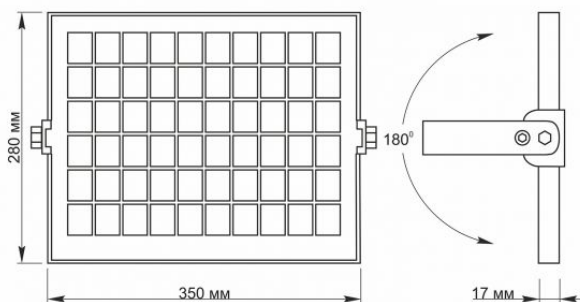
Recycling of
waste, CE,
Utilization



INDEX: VL-FSO-205

We reserve the right to make technical changes. The data contained in this material is not legally binding.

Allegro opt Sp. z o.o., ul. Mierzeja Wiślana 11,
30-732 Krakow, Poland.



The product must be used outdoors



Class III protection against electric shock - ensured by supplying a specific product with a safe very low voltage (SELV) without the risk of creating a voltage above safe levels



Minimum distance from the illuminated object



Waste recycling after the end of the product's service life



The product meets the requirements of EU directives



It is forbidden to throw away waste equipment marked with the symbol of a crossed-out bin with other waste



Rated beam angle



Ra > 80 - color rendering index



Rated On/off cycles



The product withstands a medium impact (e.g., from a blunt object)



Nominal lifetime (hours)



The product supports brightness adjustment



Operating temperatures range



The product does not contain mercury



Class of protection against dust and moisture. The product has full protection against dust and water jets from all directions