

TECHNICAL CARD



LED Rechargeable Desk Lamp

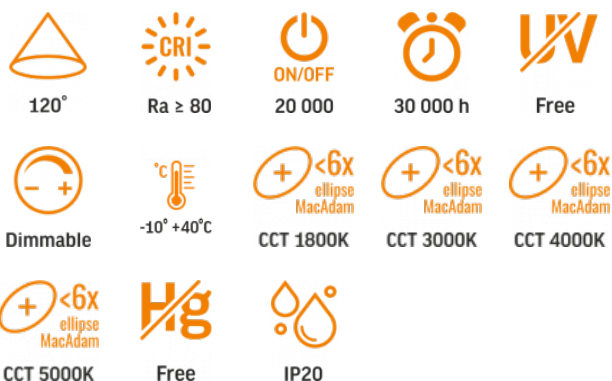


Pursuant to the provisions of the WEEE Act, it is forbidden to put waste equipment marked with the symbol of a crossed out bin together with other waste. The user, wishing to get rid of electronic and electrical equipment, is obliged to return it to a waste equipment collection point. There are no hazardous components in the equipment that have a particularly negative impact on the environment and human health.

VIDEX®

VIDEX VL-TF16W White

INDEX: VL-TF16W



WARRANTY 2 YEARS

General parameters

Control gear replaceable yes

Light source replaceable no

Type of light source

Dimmable yes

Directional (DLS) or non-directional (NDLS) light source NDLS

Connected light source (cls) no

Color-tunable light source no

Mains (MLS) or non-mains (NMLS) light source NMLS

Technology LED

Electrical parameters

On-mode power (Pon) 5 W

Rated voltage, frequency DC 5 V

Rated current 1 A

Input interface	USB - DC
Electric shock protection class	III
Displacement factor (cos φ1)	-
Survival factor	1

Photometric parameters

Luminous flux	250 Lm
Correlated color temperature	5000K (neutral white), 4000K (neutral white), 3000K (warm white), 1800K (warm white)
Beam angle	120°
Color rendering index (CRI)	Ra > 80
On/Off cycles	20000
Lifetime (L70B50)	30000 h
R9 colour rendering index value	>0
The lumen maintenance factor	≥96%
Flicker metric (Pst LM)	-
Stroboscopic effect metric (SVM)	-
Colour consistency in MacAdam ellipses (SDCM)	<6 (1800K), <6 (3000K), <6 (4000K), <6 (5000K)
CRI Min	Ra 80
CRI Max	Ra 88

Additional information

Place of installation Desk

VIDEX®

VIDEX VL-TF16W White

INDEX: VL-TF16W

Place of application	indoor
Housing colour	White
Ultraviolet radiation	no
Operating temperature range	-10° +40°C
Battery capacity	2600 mAh
Battery type	Li-ion
Battery replaceable	yes
Mercury content	Does not contain
Ingress protection	IP20
Housing material	ABS

Dimensions

EAN	4820246484039
In the package	1 pc.
Height	343 mm
Outer box	16 pcs.
Width	150 mm
Depth	150 mm
Unit nett weight	700g

Signs marking goods

Packaging marking	Recycling of waste, CE, Utilization
--------------------------	-------------------------------------



VIDEX[®]

VIDEX VL-TF16W White

INDEX: VL-TF16W

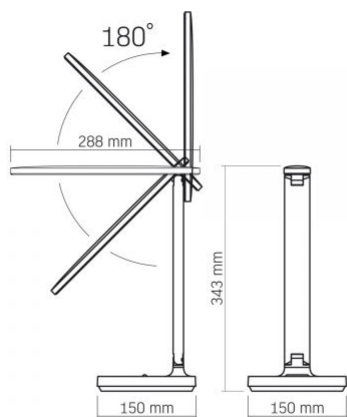
VIDEX[®]

VIDEX VL-TF16W White

INDEX: VL-TF16W

INDEX: VL-TF16W

Allegro opt Sp. z o.o., ul. Mierzeja Wiślana 11,
30-732 Krakow, Poland.



We reserve the right to make technical changes. The data contained in this material is not legally binding.



The product must be used indoors



Class III protection against electric shock - ensured by supplying a specific product with a safe very low voltage (SELV) without the risk of creating a voltage above safe levels



Waste recycling after the end of the product's service life



The product meets the requirements of EU directives



It is forbidden to throw away waste equipment marked with the symbol of a crossed-out bin with other waste



— Rated beam angle

120°



— Ra > 80 - color rendering index

Ra > 80



— Rated On/off cycles

20 000



— Nominal lifetime (hours)

30 000 h



— The product does not emit ultraviolet light

Free



— The product supports brightness adjustment

Dimmable



— Operating temperatures range

-10° +40°C



— Colour consistency in MacAdam ellipses (SDCM)

CCT 1800K



— Colour consistency in MacAdam ellipses (SDCM)

CCT 3000K



— Colour consistency in MacAdam ellipses (SDCM)

CCT 4000K



— Colour consistency in MacAdam ellipses (SDCM)

CCT 5000K



— The product does not contain mercury

Free



— Class of protection against dust and moisture. Protection against solid objects larger than 12 mm; no protection against moisture

IP20