

TECHNICAL CARD

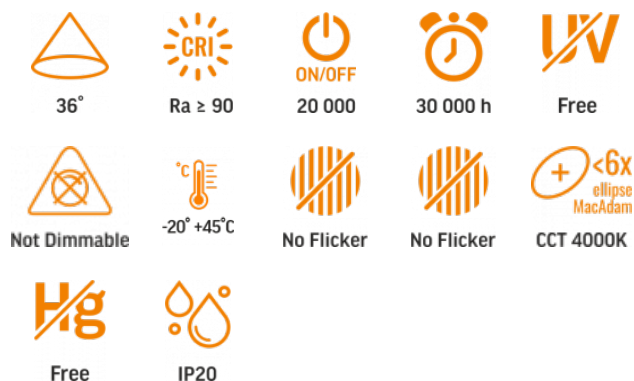


LED Light for Magnetic slim track light system



Pursuant to the provisions of the WEEE Act, it is forbidden to put waste equipment marked with the symbol of a crossed out bin together with other waste. The user, wishing to get rid of electronic and electrical equipment, is obliged to return it to a waste equipment collection point. There are no hazardous components in the equipment that have a particularly negative impact on the environment and human health.

INDEX: VL-TRMS-LE24B



WARRANTY 3 YEARS



Neutral White / Neutralny biały / Neutralni bila / Blanc neuter / Neutrálna biela / Neutraal wit / Semleges feher / Nevtralno bela / Neutralno bijela / Neutralweiß / Alb neutru / Neutralus balta / Neitrāls balta / Neutraalne valge / Нейтрално бяла / Bianco neutro.

General parameters

Light source or containing product	Light source
Light source replaceable	no
Type of light source	
Energy class of the light source	F
Dimmable	no
Directional (DLS) or non-directional (NDLS) light source	DLS
Connected light source (cls)	no
Color-tunable light source	no
Mains (MLS) or non-mains (NMLS) light source	NMLS
High luminance light source	No

Anti-glare shield	No
Technology	LED

Electrical parameters

On-mode power (Pon)	7.5 W
Rated voltage, frequency	DC 48 V
Rated current	167 mA
Input interface	2 Wires Busbar
Electric shock protection class	III
Displacement factor (cos φ1)	0.9
Survival factor	1
Energy consumption in on-mode of the light source (kWh/1000h)	7.5

Photometric parameters

Useful luminous flux (Φuse)	610 Lm
Correlated color temperature	4000K (neutral white)
Beam angle	36°
Color rendering index (CRI)	Ra > 90
On/Off cycles	20000
Lifetime (L70B50)	30000 h
Useful luminous flux of the light source reference	in a narrow cone (90°)
Chromaticity coordinates (x)	0.38
Chromaticity coordinates (y)	0.38
R9 colour rendering index value	>0
The lumen maintenance factor	≥96%

INDEX: VL-TRMS-LE24B

Flicker metric (Pst LM)	≤1
Stroboscopic effect metric (SVM)	≤0.4
Colour consistency in MacAdam ellipses (SDCM)	<6 (4000K)
CRI Min	Ra 90
CRI Max	Ra 95

Unit nett weight 165g

Signs marking goods

Packaging marking

Recycling of waste, CE, Utilization

Additional information

Place of installation	Busbar for magnetic slim track
Place of application	indoor
Housing colour	Black
Diffuser material	Polycarbonate (PC)
Minimum distance from the illuminated object	0.5 m
Ultraviolet radiation	no
Operating temperature range	-20° +45°C
Mercury content	Does not contain
Ingress protection	IP20
Housing material	Aluminum alloy, Acrylic

Dimensions

EAN	4820246485784
In the package	1 pc.
Height	70 mm
Outer box	30 pcs.
Width	53 mm
Depth	53 mm

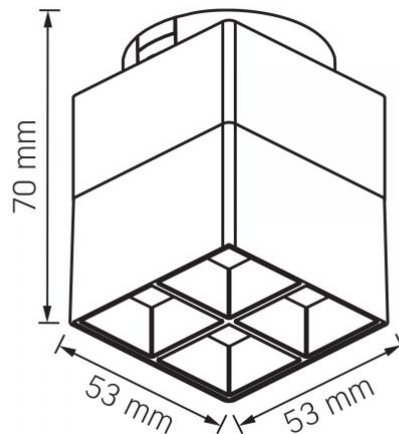


VIDEX[®]

VIDEX VL-TRMS-LE24B Black

INDEX: VL-TRMS-LE24B

INDEX: VL-TRMS-LE24B



We reserve the right to make technical changes. The data contained in this material is not legally binding.

Allegro opt Sp. z o.o., ul. Mierzeja Wiślana 11,
30-732 Krakow, Poland.



The product must be used indoors



Class III protection against electric shock - ensured by supplying a specific product with a safe very low voltage (SELV) without the risk of creating a voltage above safe levels



0,5 m

Minimum distance from the illuminated object



Waste recycling after the end of the product's service life



The product meets the requirements of EU directives



It is forbidden to throw away waste equipment marked with the symbol of a crossed-out bin with other waste



36°

Rated beam angle



Ra > 90

Ra > 90 - color rendering index



20 000

Rated On/off cycles



30 000 h

Nominal lifetime (hours)



Free

The product does not emit ultraviolet light



Not Dimmable

The product is incompatible with light regulators



-20° +45°C

Operating temperatures range



No Flicker

The flickering of the light does not exceed the permissible level



No Flicker

The product has minimal flickering, which should not cause discomfort or danger



CCT 4000K

Colour consistency in MacAdam ellipses (SDCM)



Free

The product does not contain mercury



IP20

Class of protection against dust and moisture. Protection against solid objects larger than 12 mm; no protection against moisture