

## TECHNICAL CARD



LED Floodlight



Pursuant to the provisions of the WEEE Act, it is forbidden to put waste equipment marked with the symbol of a crossed out bin together with other waste. The user, wishing to get rid of electronic and electrical equipment, is obliged to return it to a waste equipment collection point. There are no hazardous components in the equipment that have a particularly negative impact on the environment and human health.

# VIDEX®



## WARRANTY 2 YEARS

### NEUTRAL WHITE



### 5000K

Neutral White / Neutralny biały / Neutralni bila / Blanc neuter / Neutrálna biela / Neutraal wit / Semleges feher / Nevtralno bela / Neutralno bijela / Neutralweiß / Alb neutru / Neutrus balta / Neitrāls balta / Neutraalne valge / Нейтрално бяла / Bianco neutro.

## General parameters

Light source or containing product	Light source
Control gear replaceable	-
Light source replaceable	no

## Type of light source

Energy class of the light source	F
Dimmable	no
Directional (DLS) or non-directional (NDLS) light source	DLS
Connected light source (cls)	no
Color-tunable light source	no
Mains (MLS) or non-mains (NMLS) light source	MLS

## VIDEX-FLOOD-LED-PIR-LUCA-10W-NW

### INDEX: VLE-F2e-105W-S

High luminance light source	No
Anti-glare shield	No
Technology	LED

## Electrical parameters

On-mode power (Pon)	10 W
Rated voltage, frequency	AC 220-240 V, 50/60 Hz
Cable length	20 cm
Rated current	48 mA
Input interface	Free wire ends
Electric shock protection class	I
Displacement factor (cos φ1)	0.5
Survival factor	0.9
Energy consumption in on-mode of the light source (kWh/1000h)	10

## Photometric parameters

Useful luminous flux (Φuse)	900 Lm
Correlated color temperature	5000K (neutral white)
Peak luminous intensity	600 cd
Beam angle	90°
Color rendering index (CRI)	Ra > 80
On/Off cycles	20000
Lifetime (L70B50)	30000 h
Useful luminous flux of the light source reference	in a wide cone (120°)
Sensor light threshold	10-2000 Lx

Chromaticity coordinates (x)	0.34
Chromaticity coordinates (y)	0.359
R9 colour rendering index value	>0
The lumen maintenance factor	≥96%
Flicker metric (Pst LM)	≤1
Stroboscopic effect metric (SVM)	outdoor use
Colour consistency in MacAdam ellipses (SDCM)	<6 (5000K)
CRI Min	Ra 80
CRI Max	Ra 88

## Additional information

Vertical adjustment range	180°
Place of installation	Ceiling, Flat surface, Wall
Place of application	outdoor
Impact protection	IK07
Housing colour	White
Diffuser material	Polycarbonate (PC)
Minimum distance from the illuminated object	0.5 m
Ultraviolet radiation	no
Motion sensor	yes
Sensor type	PIR
Sensor detection angle	120°
Sensor time delay	10 s - 7 min
Sensor detection distance	2 - 8 m
Operating temperature range	-20° +50°C

## VIDEX-FLOOD-LED-PIR-LUCA-10W-NW

### INDEX: VLE-F2e-105W-S

Suitable for installation in normally flammable surfaces	yes
Mercury content	Does not contain
Ingress protection	IP65
Housing material	Aluminum alloy

## Dimensions

EAN	5904405541142
In the package	1 pc.
Height	159 mm
Outer box	20 pcs.
Width	140 mm
Depth	54 mm
Unit nett weight	280g

## Signs marking goods

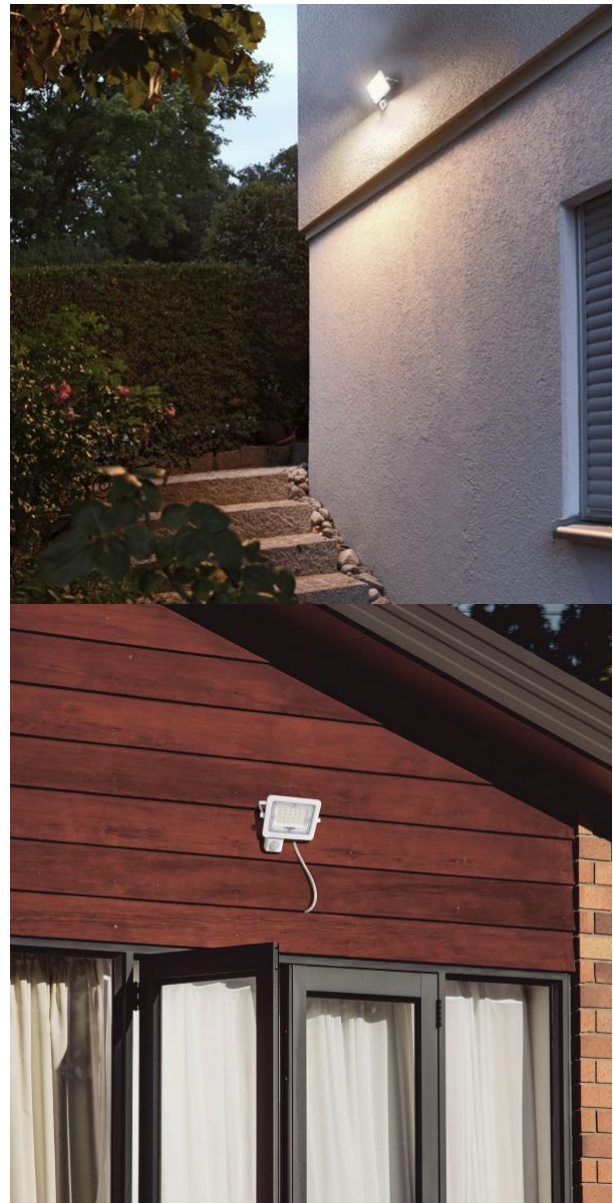
### Packaging marking

Recycling of waste, CE, Utilization



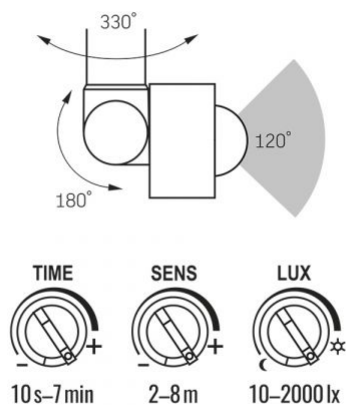
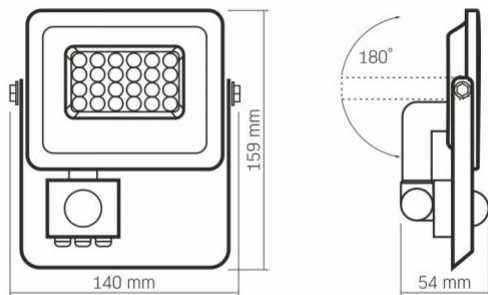
**VIDEX®**

VIDEX-FLOOD-LED-PIR-LUCA-10W-NW

**INDEX: VLE-F2e-105W-S**

### INDEX: VLE-F2e-105W-S

30-732 Krakow, Poland.



We reserve the right to make technical changes. The data contained in this material is not legally binding.

Allegro opt Sp. z o.o., ul. Mierzeja Wiślana 11,



The product must be used outdoors



Protection against electric shock class I. A product in which the means of protection against electric shock, in addition to the main insulation, is an additional protective circuit connected to the grounding of the power supply network



0,5 m

Minimum distance from the illuminated object



The product can be installed and used in/on normally flammable surfaces



Waste recycling after the end of the product's service life



The product meets the requirements of EU directives



It is forbidden to throw away waste equipment marked with the symbol of a crossed-out bin with other waste



90°

Rated beam angle



Ra > 80

Ra > 80 - color rendering index



20 000

Rated On/off cycles



IK07

The product withstands a medium impact (e.g., from a blunt object)



30 000 h

Nominal lifetime (hours)



Free

The product does not emit ultraviolet light



Not Dimmable

The product is incompatible with light regulators



-20°C +50°C

Operating temperatures range



No Flicker

The flickering of the light does not exceed the permissible level



CCT 5000K

Colour consistency in MacAdam ellipses (SDCM)



Free

The product does not contain mercury



IP65

Class of protection against dust and moisture. The product has full protection against dust and water jets from all directions