

## TECHNICAL CARD



LED Floodlight with motion sensor

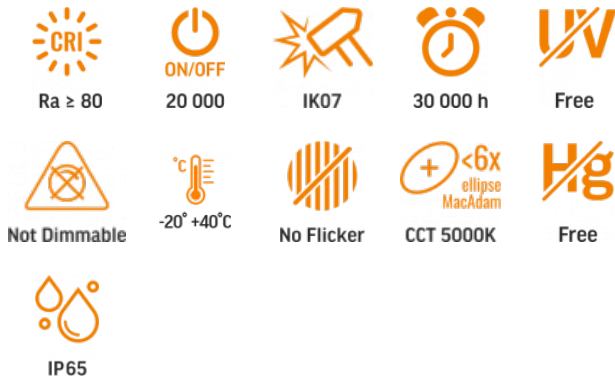


Pursuant to the provisions of the WEEE Act, it is forbidden to put waste equipment marked with the symbol of a crossed out bin together with other waste. The user, wishing to get rid of electronic and electrical equipment, is obliged to return it to a waste equipment collection point. There are no hazardous components in the equipment that have a particularly negative impact on the environment and human health.

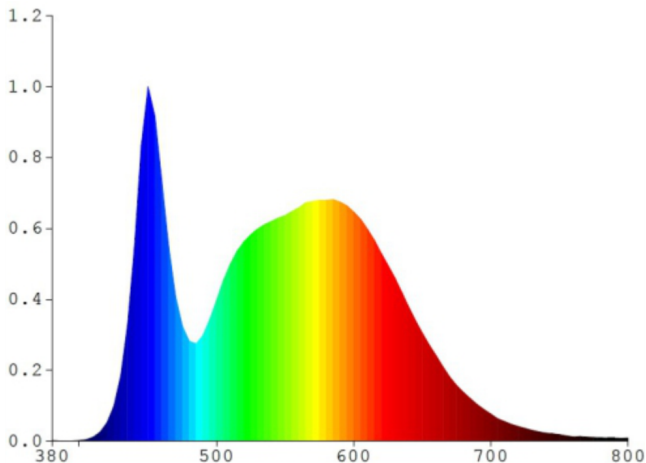
# VIDEX®

## VIDEX-FLOOD-LED-F3-PIR-50W-5K

### INDEX: VLE-F3-0505B-S



## WARRANTY 2 YEARS



## NEUTRAL WHITE



Neutral White / Neutralny biały / Neutralni bila / Blanc neuter / Neutrálna biela / Neutraal wit / Semleges feher / Nevtralno bela / Neutralno bijela / Neutralweiß / Alb neutru / Neutralus balta / Neitrāls balta / Neutraalne valge / Нейтрално бяла / Bianco neutro.

## General parameters

Light source or containing product	Light source
Light source replaceable	no
Control gear replaceable	no

## Type of light source

Energy class of the light source	F
Dimmable	no
Directional (DLS) or non-directional (NDLS) light source	DLS
Connected light source (cls)	no
Color-tunable light source	no
Mains (MLS) or non-mains (NMLS) light source	MLS
High luminance light source	No
Anti-glare shield	No
Technology	LED

## Electrical parameters

On-mode power (Pon)	50 W
Rated voltage, frequency	AC 220-240 V, 50/60 Hz
Cable length	20 cm
Rated current	250 mA
Input interface	Free wire ends
Electric shock protection class	I
Displacement factor (cos φ1)	0.9
Survival factor	0.9
Energy consumption in on-mode of the light source (kWh/1000h)	50

## Photometric parameters

Luminous flux	4750 Lm
Useful luminous flux (Φuse)	4100 Lm

## INDEX: VLE-F3-0505B-S

<b>Correlated color temperature</b>	5000K (neutral white)
<b>Peak luminous intensity</b>	2100 cd
<b>Beam angle</b>	110°
<b>Color rendering index (CRI)</b>	Ra > 80
<b>On/Off cycles</b>	20000
<b>Lifetime (L70B50)</b>	30000 h
<b>Useful luminous flux of the light source reference</b>	in a wide cone (120°)
<b>Sensor light threshold</b>	10-2000 Lx
<b>Chromaticity coordinates (x)</b>	0.34
<b>Chromaticity coordinates (y)</b>	0.359
<b>R9 colour rendering index value</b>	>0
<b>The lumen maintenance factor</b>	≥96%
<b>Flicker metric (Pst LM)</b>	≤1
<b>Stroboscopic effect metric (SVM)</b>	outdoor use
<b>Colour consistency in MacAdam ellipses (SDCM)</b>	<6 (5000K)
<b>CRI Min</b>	Ra 80
<b>CRI Max</b>	Ra 88

### Additional information

<b>Vertical adjustment range</b>	180°
<b>Place of installation</b>	Ceiling, Flat surface, Wall
<b>Place of application</b>	outdoor
<b>Impact protection</b>	IK07
<b>Housing colour</b>	Black
<b>Diffuser material</b>	Polycarbonate (PC)

<b>Minimum distance from the illuminated object</b>	0.5 m
<b>Ultraviolet radiation</b>	no
<b>Motion sensor</b>	yes
<b>Sensor type</b>	PIR
<b>Sensor detection angle</b>	120°
<b>Sensor time delay</b>	10 s - 7 min
<b>Sensor detection distance</b>	2 - 8 m
<b>Operating temperature range</b>	-20° +40°C
<b>Suitable for installation in normally flammable surfaces</b>	yes
<b>Mercury content</b>	Does not contain
<b>Ingress protection</b>	IP65
<b>Housing material</b>	Aluminum alloy

### Dimensions

<b>EAN</b>	5904405542491
<b>In the package</b>	1 pc.
<b>Height</b>	190 mm
<b>Outer box</b>	20 pcs.
<b>Width</b>	180 mm
<b>Depth</b>	52 mm
<b>Unit nett weight</b>	470g

### Signs marking goods

<b>Packaging marking</b>	Recycling of waste, CE, Utilization
--------------------------	-------------------------------------

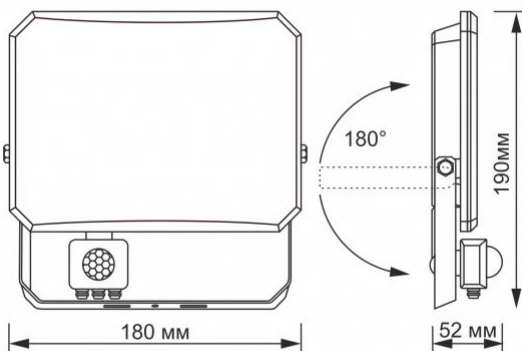
**VIDEX®**

VIDEX-FLOOD-LED-F3-PIR-50W-5K

INDEX: VLE-F3-0505B-S



### INDEX: VLE-F3-0505B-S



We reserve the right to make technical changes. The data contained in this material is not legally binding.

Allegro opt Sp. z o.o., ul. Mierzeja Wiślana 11,  
30-732 Krakow, Poland.



The product must be used outdoors



Protection against electric shock class I. A product in which the means of protection against electric shock, in addition to the main insulation, is an additional protective circuit connected to the grounding of the power supply network



Minimum distance from the illuminated object



The product can be installed and used in/on normally flammable surfaces



Waste recycling after the end of the product's service life



The product meets the requirements of EU directives



It is forbidden to throw away waste equipment marked with the symbol of a crossed-out bin with other waste



Ra > 80

— Ra > 80 - color rendering index



ON/OFF  
20 000

— Rated On/off cycles



IK07

— The product withstands a medium impact (e.g., from a blunt object)



30 000 h

— Nominal lifetime (hours)



Free

— The product does not emit ultraviolet light



Not Dimmable

— The product is incompatible with light regulators



-20° +40°C

— Operating temperatures range



No Flicker

— The flickering of the light does not exceed the permissible level



CCT 5000K

— Colour consistency in MacAdam ellipses (SDCM)



Free

— The product does not contain mercury



IP65

— Class of protection against dust and moisture.  
The product has full protection against dust and water jets from all directions