

TECHNICAL CARD

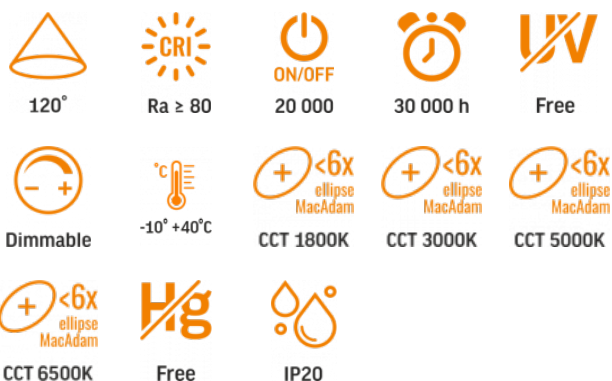


LED Desk Lamp with Wireless Charging



Pursuant to the provisions of the WEEE Act, it is forbidden to put waste equipment marked with the symbol of a crossed out bin together with other waste. The user, wishing to get rid of electronic and electrical equipment, is obliged to return it to a waste equipment collection point. There are no hazardous components in the equipment that have a particularly negative impact on the environment and human health.

INDEX: VL-TF17B



WARRANTY 3 YEARS

General parameters

Light source or containing product	Containing product
Control gear replaceable	yes
Light source replaceable	no

Type of light source

Dimmable	yes
Directional (DLS) or non-directional (NDLS) light source	NDLS
Connected light source (cls)	no
Color-tunable light source	no
Mains (MLS) or non-mains (NMLS) light source	NMLS
Technology	LED
Energy efficiency class of the contained light source	F

Electrical parameters

On-mode power (Pon)	7.5 W
Rated voltage, frequency	AC 100-240 V, 50/60 Hz
Rated current	174 mA
Input interface	AC adapter
Electric shock protection class	II
Energy consumption in on-mode of the light source (kWh/1000h)	18
Displacement factor (cos φ1)	-
Survival factor	1

Photometric parameters

Useful luminous flux of the contained light source (Φuse)	700 Lm
Correlated color temperature	6500K (cold white), 5000K (neutral white), 4500K (neutral white), 3800K (warm white), 3000K (warm white), 1800K (warm white)
Beam angle	120°
Color rendering index (CRI)	Ra > 80
On/Off cycles	20000
Lifetime	30000 h
Useful luminous flux of the light source in a sphere reference (360°)	
R9 colour rendering index value	>0
The lumen maintenance factor	≥96%

INDEX: VL-TF17B

Colour consistency in MacAdam ellipses (SDCM)	<6 (1800K),
	<6 (3000K),
	<6 (3800K),
	<6 (4500K),
	<6 (5000K),
	<6 (6500K)

Flicker metric (Pst LM)	-
--------------------------------	---

Stroboscopic effect metric (SVM)	-
---	---

CRI Min	Ra 80
----------------	-------

CRI Max	Ra 88
----------------	-------

Additional information

Place of installation	Desk
------------------------------	------

Place of application	indoor
-----------------------------	--------

Housing colour	Black
-----------------------	-------

Ultraviolet radiation	no
------------------------------	----

Operating temperature range	-10° +40°C
------------------------------------	------------

Mercury content	Does not contain
------------------------	------------------

Ingress protection	IP20
---------------------------	------

Housing material	Aluminum, ABS
-------------------------	---------------

Dimensions

EAN	4820246484046
------------	---------------

Height	403.5 mm
---------------	----------

Depth	176.5 mm
--------------	----------

Width	115 mm
--------------	--------

In the package	1 pc.
-----------------------	-------

Outer box	16 pcs.
------------------	---------

Unit nett weight	790g
-------------------------	------

Signs marking goods

Packaging marking

Recycling of waste, CE, Utilization



VIDEX[®]

VIDEX VL-TF17B Black

INDEX: VL-TF17B

VIDEX[®]

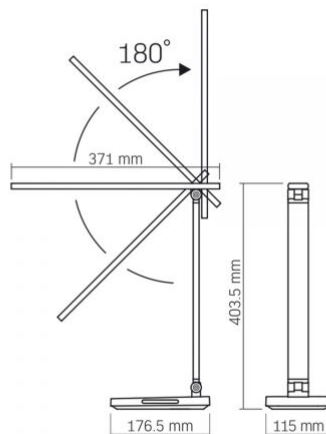
VIDEX VL-TF17B Black

INDEX: VL-TF17B

VIDEX®

VIDEX VL-TF17B Black

INDEX: VL-TF17B



We reserve the right to make technical changes. The data contained in this material is not legally binding.

Allegro opt Sp. z o.o., ul. Mierzeja Wiślana 11,
30-732 Krakow, Poland.



The product must be used indoors



Class of protection against electric shock II - provided not only by basic insulation but also by double or reinforced insulation



Waste recycling after the end of the product's service life



The product meets the requirements of EU directives



It is forbidden to throw away waste equipment marked with the symbol of a crossed-out bin with other waste



— Rated beam angle

120°



— Ra > 80 - color rendering index

Re > 80



— Rated On/off cycles

20 000



— Nominal lifetime (hours)

30 000 h



— The product does not emit ultraviolet light

Free



— The product supports brightness adjustment

Dimmable



— Operating temperatures range

-10° +40°C



— Colour consistency in MacAdam ellipses (SDCM)

+5x



— Colour consistency in MacAdam ellipses (SDCM)

+5x



— Colour consistency in MacAdam ellipses (SDCM)

+5x



— Colour consistency in MacAdam ellipses (SDCM)

+5x



— The product does not contain mercury

Free



— Class of protection against dust and moisture. Protection against solid objects larger than 12 mm; no protection against moisture

IP20

Date: 29.03.2025