

TECHNICAL CARD



External double Schuko socket IP65 gray



IP65

WARRANTY 2 YEARS

VIDEX BINERA sockets allow you to create an integrated structure from multiple units of fittings, addressing any ergonomic and aesthetic challenges. The VIDEX BINERA sockets are a perfect design, the materials of which ensure a long service life, guaranteeing safety. The versatile and perfect design will add sophistication and comfort to any room.

Additional information

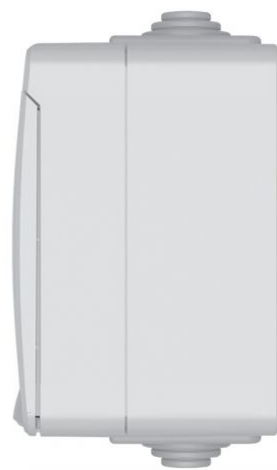
Ingress protection	IP65
Housing material	Iron alloy, PC, Polyamide, PP, Copper, Silver

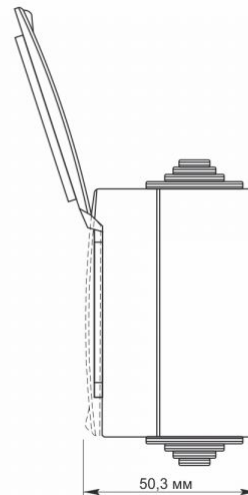
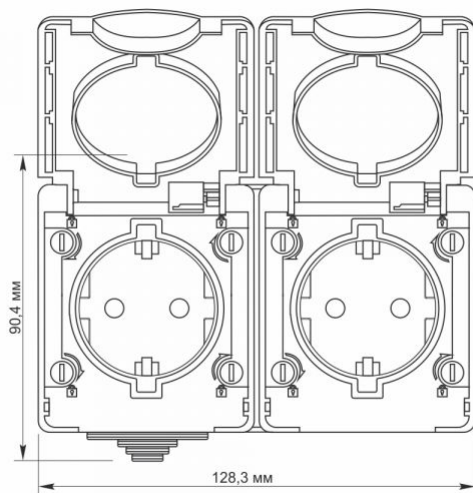
Dimensions

EAN	4820118298283
In the package	1 pc.
Height	90.4 mm
Outer box	50 pcs.
Width	128.3 mm
Depth	50.3 mm

Signs marking goods

Packaging marking	CE, Utilization
--------------------------	-----------------





We reserve the right to make technical changes. The data contained in this material is not legally binding.

Allegro opt Sp. z o.o., ul. Mierzeja Wiślana 11,
30-732 Krakow, Poland.



The product meets the requirements of EU directives



It is forbidden to throw away waste equipment marked with the symbol of a crossed-out bin with other waste



IP65

— Class of protection against dust and moisture. The product has full protection against dust and water jets from all directions